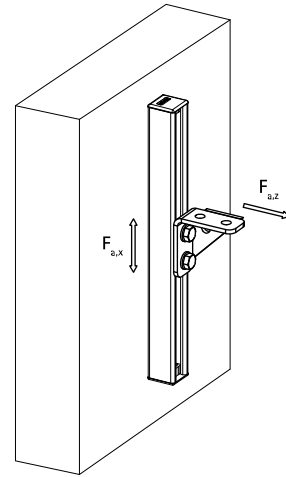


BIS Strut Stainless Steel Connector 90° Rigid

(M 60 04)

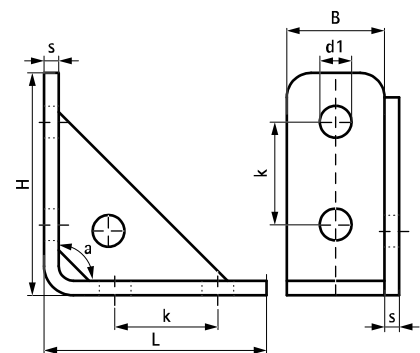
to make Strut rail fabrications



Features and Benefits

- reinforced connector to make rigid fabrications with Strut rails
- easy fitting due to rounded edges
- material: stainless steel 1.4404 (A4) - EN 10088, AISI 316L

Part No.	L	B	H	s	d1	k	a	For Rail	F _{a,z}	F _{a,z 2}	F _{a,x}	F _{a,x 2}	Pack 1
		(mm)	(mm)	(mm)	(mm)	(mm)	(°)		(N)	(N)	(N)	(N)	
66587291	110 mm	40	110	4	12.2	50	90°	Strut	4,000	8,000	3,000	7,000	25
<i>F_{a,z}: max. allowed load acc. RAL GZ-655D (with rail 41x41x1.5).</i> <i>F_{a,z2}: max. allowed load (with rail 41x41x2.5).</i> <i>F_{a,x}: max. allowed load acc. RAL GZ-655D (with rail 41x41x1.5 and bolted 2 x M12 - 30Nm).</i> <i>F_{a,x2}: max. allowed load (with rail 41x41x2.5 and bolted 2 x M12 - 60Nm).</i>													



Complementary

- Walraven RapidStrut® Stainless Steel Channel
- Walraven RapidStrut® Stainless Steel Channel Double
- Walraven RapidStrut® Stainless Steel

Complementary

- Walraven RapidStrut® Stainless Steel Slide Nut with Tabs
- BIS Stainless Steel Hexagon Head Screw
- BIS Strut Stainless Steel Washer (Flat)