

BIS Strut Stainless Steel Beam Clamp

(M 62 17)

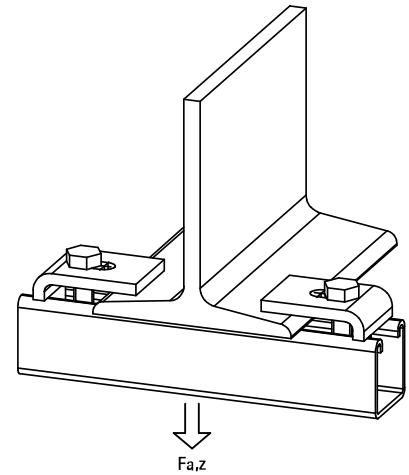
to make Strut rail fabrications



657 1 731



657 1 751



Features and Benefits

- for a solid fixing to steel construction without the need for welding or drilling
- always use 2 beam clamps per fixing
- material: stainless steel

| Part No. | A (mm) | L (mm) | B (mm) | h (mm) | s (mm) | d1 (mm) | k (mm) | F _{a,z} (N) | Pack 1 |
|----------|-----------|-----------|-----------|-----------|-----------|------------|-----------|-------------------------|--------|
| 6571731 | 10 | 50 mm | 50 | - | 6.0 | 22 x 11 | 30 | 8,000 | 50 |
| 6571751 | 10 | 40 mm | 55 | 15 | 6.0 | 22 x 11 | 30 | 8,000 | 50 |

