

BIS Strut Slide Nut (hdg)

(H 24 25)

fixing to Strut rail

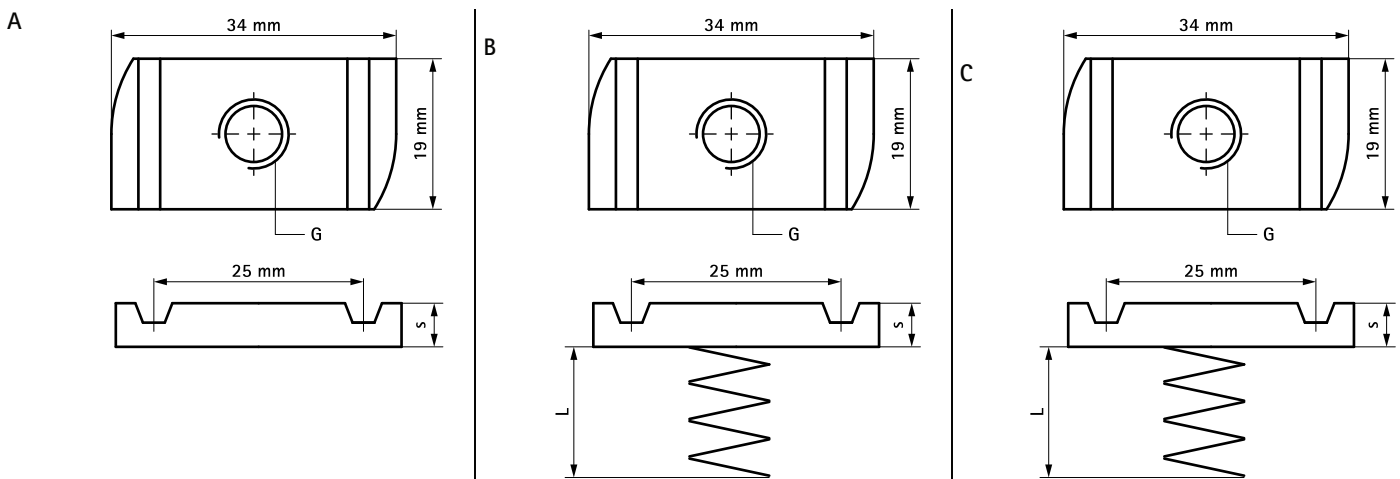


Features and Benefits

- material: slide nut made of steel 1.0332; ■ hot dip galvanized
- spring made of spring steel DIN17223 (class A)
- tested for fire safety

Part No.	G	L	s (mm)	T _(max.) (Nm)	For Rail	F _{a,z} (N)	Pack 1
A 6518006	M6	-	5.0	7.5	Strut	5,300	100
A 6518008	M8	-	6.0	15.0	Strut	6,000	100
A 6518010	M10	-	8.0	15.0	Strut	9,500	100
A 6518012	M12	-	9.0	30.0	Strut	10,000	100
B 6518106	M6	13 mm	5.0	7.5	Strut 41x21	5,300	100
B 6518108	M8	13 mm	6.0	15.0	Strut 41x21	6,000	100
B 6518110	M10	13 mm	8.0	15.0	Strut 41x21	9,500	100
B 6518112	M12	13 mm	9.0	30.0	Strut 41x21	10,000	100
C 6518206	M6	33 mm	5.0	7.5	Strut 41x41	5,300	100
C 6518208	M8	33 mm	6.0	15.0	Strut 41x41	6,000	100
C 6518210	M10	33 mm	8.0	15.0	Strut 41x41	9,500	100
C 6518212	M12	33 mm	9.0	30.0	Strut 41x41	10,000	100

M10 and above tested for fire safety.



Alternative
BIS Strut Slide Nut (BUP1000)