

BIS Strut Slide Nut (BUP1000)

(H 24 15)

fixing to Strut rail



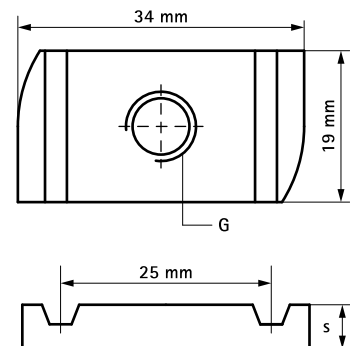
Features and Benefits

- for all types of Strut Rail
- for tight fixing of accessories (e.g. connectors) on rail
- material: steel 1.0332
- tested for fire safety
- surface protection:
 - product is part of the BIS UltraProtect® 1000 system
 - suitable for in- and outdoor applications
 - stands min. 1,000 hours salt spray test (max. 5% red rust) according to ISO 9227



Part No.	G	s (mm)	T _(max.) (Nm)	For Rail	F _{a,z} (N)	Pack 1
65188006	M6	5.0	7.5	Strut	5,300	100
65188008	M8	6.0	15.0	Strut	6,000	100
65188010	M10	8.0	15.0	Strut	9,500	100
65188012	M12	9.0	30.0	Strut	10,000	100

*M10 tested for fire safety.
M12 tested for fire safety.*



Complementary

BIS RapidStrut® Cantilever Arm (BUP1000)
BIS RapidStrut® Fixing Rail DS 5 (BUP1000)

Alternative

BIS RapidStrut® Slide Nut