

# BIS Strut Clamp

for steel pipes  $\varnothing$  9 - 250 mm

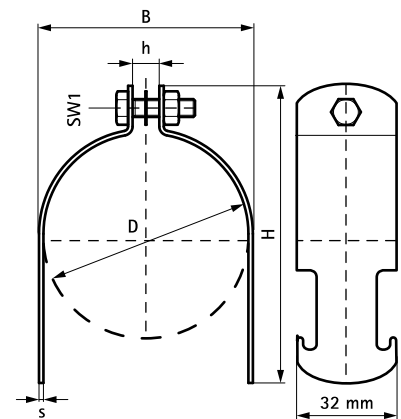
(H 32 10)



## Features and Benefits

- two-part clamp
- for direct fixing of pipes to Strut Rail
- both ends suitable for locating into Strut Rail
- pre-galvanized
- material: steel 1.0226

Part No.	D (mm)	D (°)	DN	B (mm)	H (mm)	h (mm)	s (mm)	SW1 (mm)	Pack 1
2005014	12 - 14	1/4	8	17	51	5.0	1.5	10	100
2005016	14 - 16	-	-	19	53	5.0	1.5	10	100
2005018	16 - 18	3/8	10	21	55	7.5	1.5	10	100
2005022	20 - 22	1/2	15	25	58	10.0	1.5	10	100
2005026	22 - 26	-	-	29	62	10.0	1.5	10	100
2005030	26 - 30	3/4	20	33	67	10.0	1.5	10	100
2005040	35 - 40	-	-	43	77	10.0	1.5	10	100
2005050	45 - 50	1 1/2	40	54	88	10.0	2.0	13	100
2005055	50 - 55	-	-	59	93	10.0	2.0	13	100
2005060	55 - 60	-	-	64	98	10.0	2.0	13	100
2005070	65 - 70	-	-	74	108	10.0	2.0	13	100
2005075	70 - 75	-	-	79	113	10.0	2.0	13	50
2005085	80 - 85	-	-	89	123	10.0	2.0	13	50
2005090	85 - 90	3	80	94	128	10.0	2.0	13	50



### Complementary

Walraven RapidStrut® Cantilever Arm  
(BUP1000)

### Alternative

BIS Strut Clamp with Lining