

BIS Strut Base Plate Heavy Duty (BUP1000)

(H 12 13)



66588641

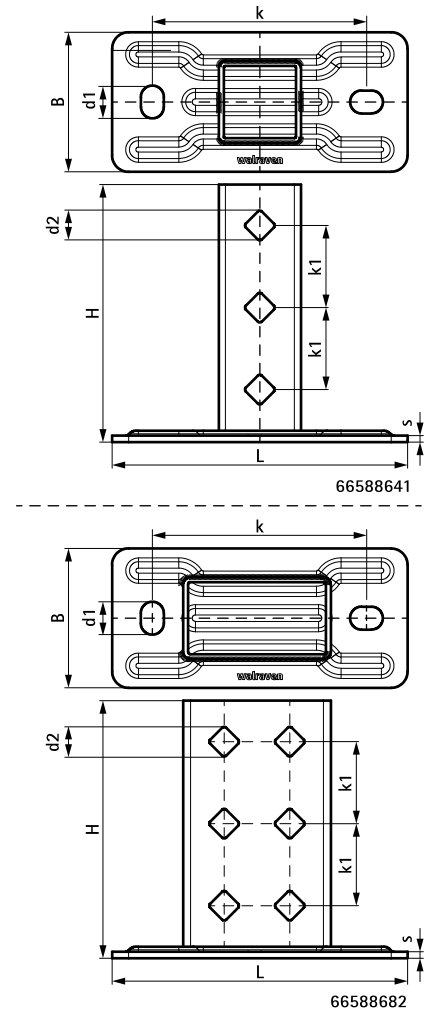
66588682

Features and Benefits

- heavy base plate for Strut rails
- can be used together with slide nut with plastic tabs or throughbolts
- Part No. 66588641: for Rail Strut 41x41 + 41x21D
- Part No. 66588682: for Rail Strut 41x82 + 41x41D
- hole pattern is adapted to the hole pattern of Strut rails
- closed profile for increased structural strength
- material: steel 1.0332
- surface protection:
 - product is part of the BIS UltraProtect® 1000 system
 - suitable for in- and outdoor applications
 - stands min. 1,000 hours salt spray test (max. 5% red rust) according to ISO 9227

| Part No. | L | B | H | s | d1 | d2 | k | k1 | F _{a,z} | F _{a,z 2} | M _{a,y} | Pack 1 |
|----------|--------|------|------|------|---------|------|------|------|------------------|--------------------|------------------|--------|
| | | (mm) | (mm) | (mm) | (mm) | (mm) | (mm) | (mm) | (N) | (N) | (Nm) | |
| 66588641 | 180 mm | 85 | 157 | 4.0 | 20 x 14 | 13.8 | 130 | 50 | 4,242 | 5,303 | 258.0 | 10 |
| 66588682 | 180 mm | 85 | 157 | 4.0 | 20 x 14 | 13.8 | 130 | 50 | 7,273 | 10,303 | 606.0 | 5 |

Part No. 66588641: F_{a,z}: max. allowed load in combination with 3 slide nuts M10, tightened with 40 Nm.
 Part No. 66588682: F_{a,z}: max. allowed load in combination with 6 slide nuts M10, tightened with 40 Nm.
 F_{a,z 2}: max. allowed load in combination with 2 throughbolts M10, tightened with 40 Nm.
 M_{a,y}: max. moment in combination with 2 throughbolts M10, tightened with 40 Nm.



Complementary

- BIS RapidStrut® Fixing Rail (BUP1000)
- BIS RapidStrut® Slide Nut
- BIS Washer (Flat) (BUP1000)

Complementary

- BIS Hexagon Head Bolt (BUP1000)
- WTB1 Throughbolt Anchor
- BIS RapidStrut® Fixing Rail Double (pg)

Alternative

- BIS RapidStrut® Base Plate G2 (BUP1000)