

BIS Strut Angle Connector 45° (BUP1000)

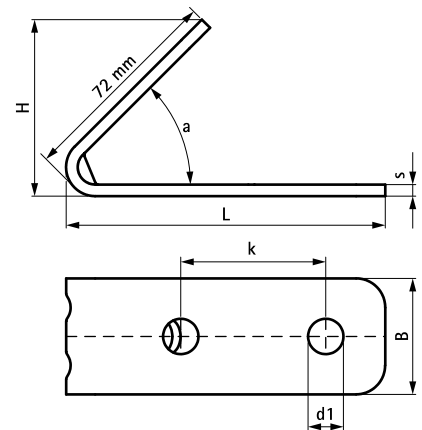
(H 28 68)



Features and Benefits

- angle connector for all Strut rails to make fabrications
- the hole pattern is adapted to the hole pattern of Strut rails to use throughbolts
- user friendly by rounded edges
- with reinforced bend for extra strength
- material: steel 1.0242 (S250GD) + ZM310 MAC
- surface protection:
 - product is part of the BIS UltraProtect® 1000 system
 - suitable for in- and outdoor applications
 - stands min. 1,000 hours salt spray test (max. 5% red rust) according to ISO 9227

| Part No. | Model | L | B | H | s | d1 | k | a | Pack 1 |
|----------|--------------|--------|------|------|------|------|------|-----|--------|
| | | | (mm) | (mm) | (mm) | (mm) | (mm) | (°) | |
| 66588270 | Short / long | 110 mm | 40 | 61 | 4.0 | Ø 12 | 50 | 45 | 25 |



Complementary

- BIS RapidStrut® Fixing Rail DS 5 (BUP1000)
- BIS RapidStrut® Fixing Rail (BUP1000)
- BIS RapidStrut® Slide Nut

Complementary

- BIS Strut Slide Nut (BUP1000)
- BIS Strut Washer - Flat (BUP1000)