

# BIS Stainless Steel Slide Nut

(M 29 10)

fixing to Walraven RapidRail®

A



B



C

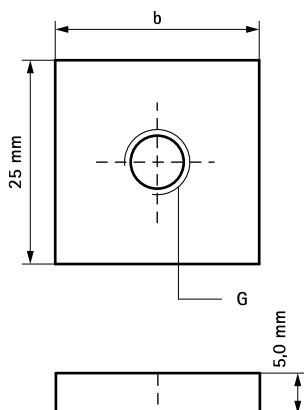


## Features and Benefits

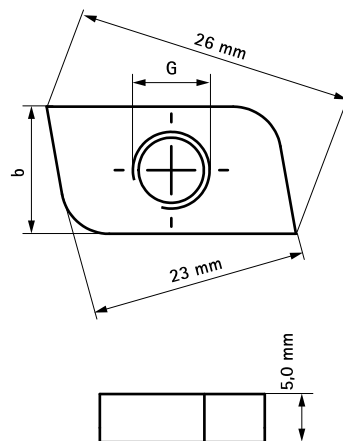
- because of shape the nut fits in rail
- material: stainless steel 1.4401 (AISI 316)

Part No.	G	b (mm)	s (mm)	For Rail	Pack 1	Pack 2
A 6511006	M6	25.0	5.0	30x15, 30x20, 30x30	50	250
B 6511008	M8	13.8	5.0	30x15, 30x20, 30x30	50	1,000
C 6511010	M10	13.8	5.0	30x15, 30x20, 30x30	50	1,000
A 6511012	M12	25.0	5.0	30x15, 30x20, 30x30	50	500

A



B



### Complementary

Walraven RapidRail® Stainless Steel Fixing  
Rail  
Walraven RapidRail® Stainless Steel  
Cantilever Arm

### Alternative

Walraven RapidRail® Stainless Steel Slide  
Nut