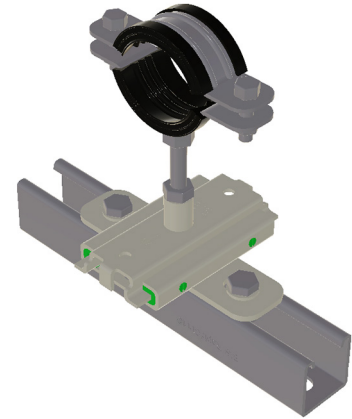
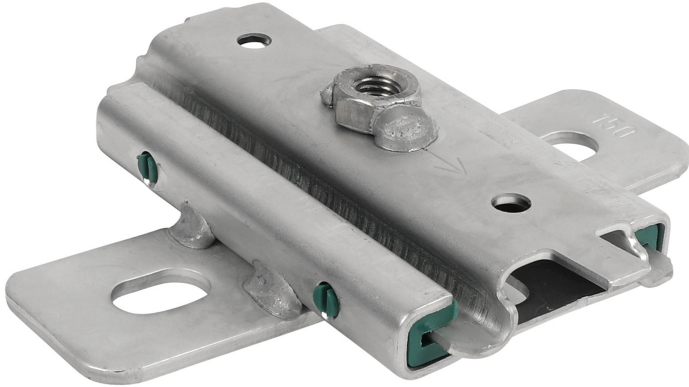


BIS Stainless Steel Expansion Device (M10)

(M 19 05)

single expansion device for pipe extensions

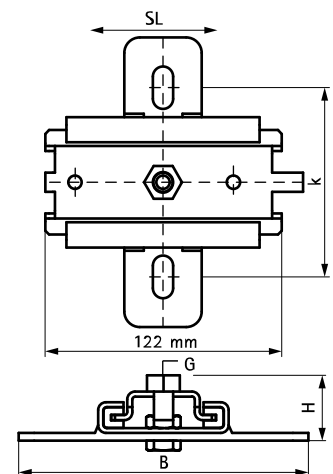


Features and Benefits

- single bracket for pipe extensions
- suitable for ceiling mounting (suspended) and floor mounting (standing mounted)
- fix in combination with RapidStrut Rails and Cantilever arms or directly on the building structure
- can be combined with stainless steel pipe clamps M10
- metal parts made of stainless steel 1.4404; plastic parts made of PA (polyamide)
- friction coefficient $\mu = 0.18$; Sliding friction coefficient $\mu = 0.14$
- temperature resistance up to $+120\text{ }^{\circ}\text{C}$

Part No.	Model	G	B (mm)	H (mm)	d1 (mm)	k (mm)	SL (max.) (mm)	F _{a,z} (N)	F _{a,z 2} (N)	Pack 1
6667410	Single	M10	150	46	20 x 12.5	100	80	2,300	2,300	10

F_{a,z} = standing mounted; F_{a,z 2} = suspended.



Complementary

BIS Bifix® 1301 Stainless Steel
Walraven RapidStrut® Stainless Steel Channel
Walraven RapidRail® Stainless Steel Cantilever Arm

Complementary

Walraven RapidStrut® Stainless Steel Slide Nut with Tabs
BIS Strut Stainless Steel Tee-Bolt
BIS Stainless Steel Hexagon Head Screw

Alternative

BIS Slide Block GFRP (BUP1000)