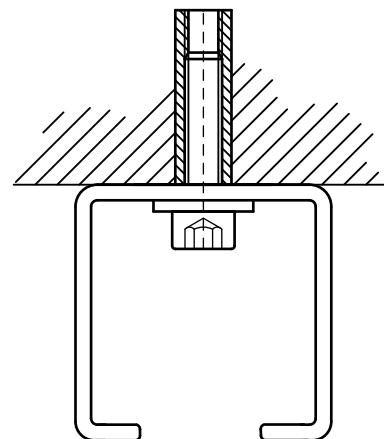


BIS Socket Head Bolt and Screw

fixing of rail

(K 45 55)

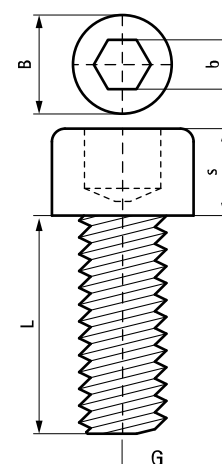


Features and Benefits

- for fixing of fixing rail
- material: steel, strength class 8.8
- zinc plated
- according to DIN 912

Part No.	G	L	B (mm)	b (mm)	s (mm)	Pack 1
6133010	M8	16 mm	13	6.0	8.0	200
6133011	M8	20 mm	13	6.0	8.0	200
6133012	M8	25 mm	13	6.0	8.0	200
6133015	M10	15 mm	16	8.0	10.0	200

Required bolt or screw depends on rail hole pattern.



Complementary

- WDI1 Drop-in Anchor
- WDI1L Drop-in Anchor Lipped
- WDI1 Setting Tool

Complementary

- WBA Brass Anchor