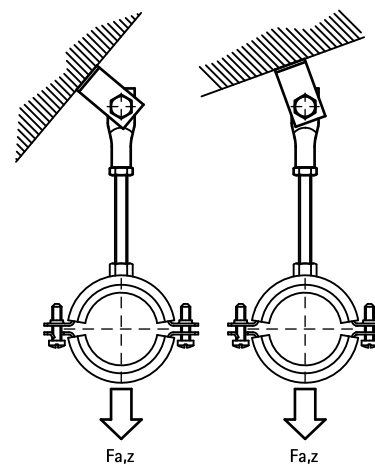
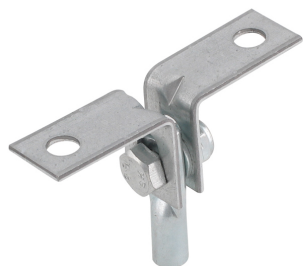


BIS Roof Suspension Assembly

fixing to pitched roof

(K 25 15)



Features and Benefits

- for fixing to pitched roof
- adjustable to suit the slope of any pitched roof
- material: steel
- zinc plated

Part No.	G	F _{a,z} (N)	Pack 1
6788008	M8	2,580	50

