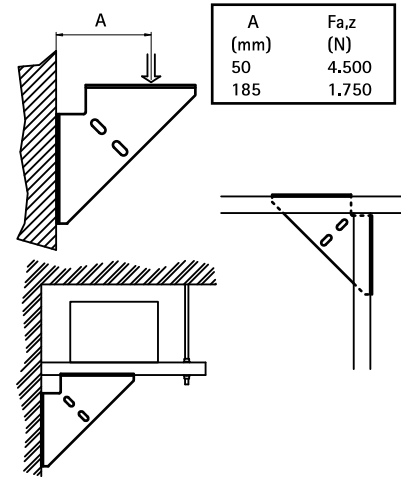


BIS RapidStrut Corner Bracket (BUP1000)

(H 1635)

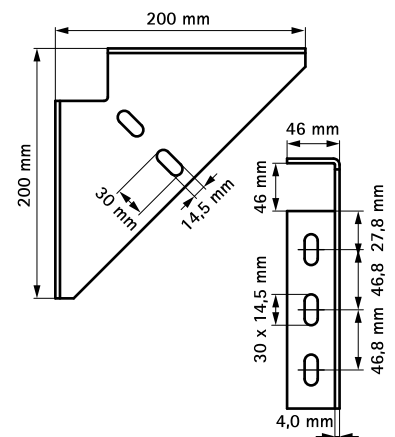
to make Strut rail fabrications



Features and Benefits

- one-part support
- for fixing support under, top or on side of a cantilever arm
- also used to strengthen rail constructions
- material: steel 1.0332
- surface protection:
 - product is part of the BIS UltraProtect® 1000 system
 - suitable for in- and outdoor applications
 - stands min. 1,000 hours salt spray test (max. 5% red rust) according to ISO 9227

Part No.	For Rail	Pack 1
66038020	Strut + WM35	10



Complementary

BIS RapidStrut® Fixing Rail DS 5 (BUP1000)

Alternative

BIS RapidStrut Construction Bracket (BUP1000)