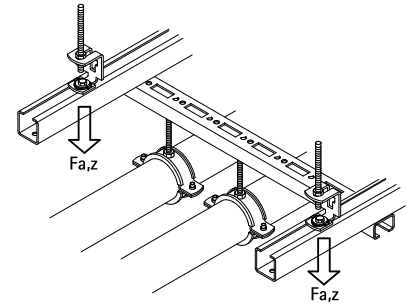


BIS RapidRail® Rail Suspension Bracket

(G 20 40)

fixing of rail to stud bolt



Features and Benefits

- connector with pre-assembled BIS RapidRail® Slide nut(s)
- suitable for rail 27x18, 30x15, 30x20, 30x30, 30x45, 38x40
- ready-to-use pre-assembled for a quick fixing, and retains assembly in place before final tightening
- with pre-assembled BIS RapidRail® Sliding nut(s) for a quick fixing, and retains assembly in place before final tightening
- stud bolt with upturned nut hooked in easily because of cross-shaped hole
- material: metal parts made of steel 1.0332; spring(s) made of POM (polyoxymethylene), green
- zinc plated

Part No.	For Rail	F _{a,z} (N)	F _{a,x} (N)	RAL	Pack 1
6793008	27x18, 30x15, 30x20, 30x30, 30x45, 38x40	1,600	79	RAL ¹	50
<p><i>RAL¹ = tested, certified and monitored by a third party according to RAL-GZ 655/D in combination with Rail 30x15, 30x30, 30x20 and 30x45.</i></p> <p><i>For detailed technical information about our RAL marked products, please see the RAL datasheet in our web catalogue.</i></p>					



RAL-GZ 655/D
Cert.Nr. 2012-09

Complementary

Walraven RapidRail® Fixing Rail