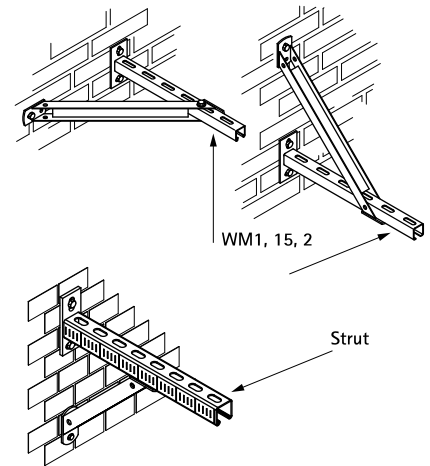


BIS Rail Prop

reinforcement of cantilever arm

(G 20 05)

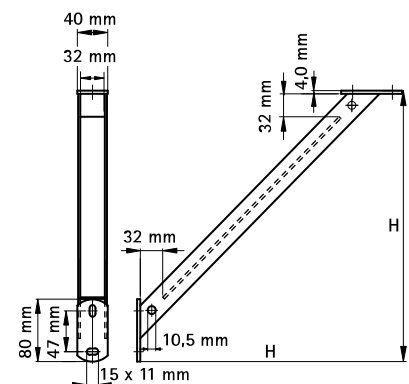


Features and Benefits

- 45° support bracket
- for fixing support under, top or on side of a cantilever arm
- also used to strengthen rail constructions
- cantilever arm of WM30 not suitable for 'run-through fixing'
- suitable for rail WM0, 1, 15, 2, 30
- CO₂ welded
- material: steel
- zinc plated

Part No.	H (mm)	For Rail	Pack 1
6628220	250	WM0 - 30	10
6628230	350	WM0 - 30	10

Rail Props for WM35 Rail? See Part No. 66288530.



Complementary

RapidRail® Fixing Rail
 BIS RapidRail® Cantilever Arm (BUP1000)