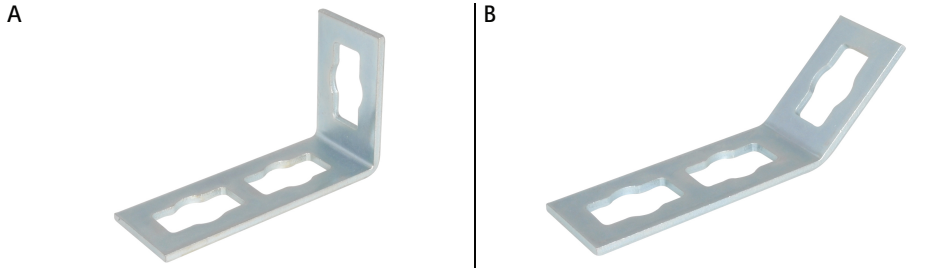


# BIS PushStrut Connector Flat

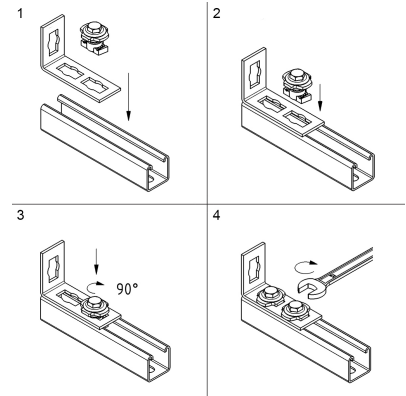
(H 29 10)

for easy installation of complex rail constructions

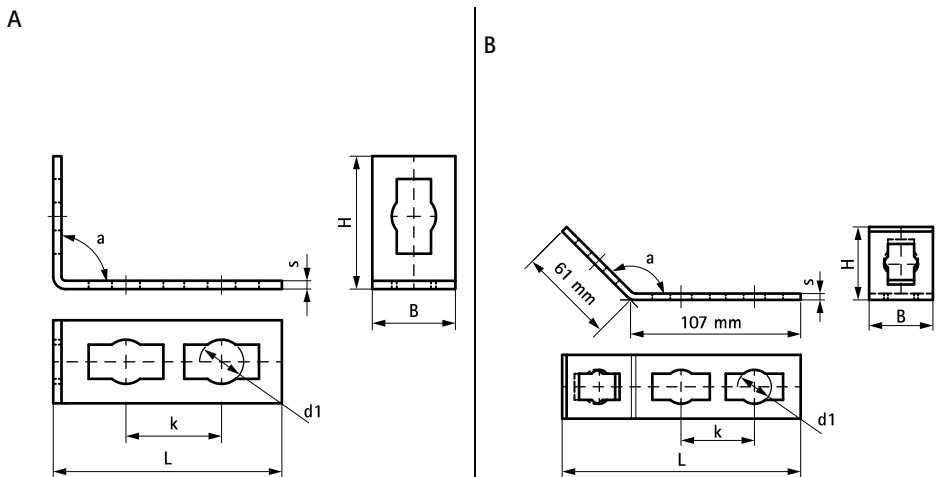


## Features and Benefits

- easily combined with all common Strut profiles
  - quick and easy to install
  - closure button allows a force fit connection
  - timesaving and flexible
  - easy to remove and reusable
  - 3D constructions due to 3D Connectors
- material: steel
  - zinc plated



Part No.	L	B	H	s	d1	k	a	Pack 1
		(mm)	(mm)	(mm)	(mm)	(mm)	(°)	
A 6594001	110 mm	40	64	4.0	21	46	90°	25
B 6594005	150 mm	40	46	4.0	21	46	135°	25



## Complementary

BIS RapidStrut® Fixing Rail (pg)  
BIS PushStrut Button