

# BIS Pipe Saddle (zp)

(B 30 05)

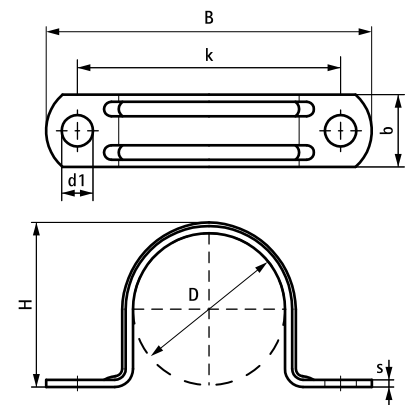
for cables, steel and PVC pipes 16 - 60 mm



## Features and Benefits

- one-part saddle
- for diameters of more than 10 mm, the slotted hole allows to adjust small deviations of installations
- for cables, steel and PVC pipes
- 2 nerves
- material: steel
- zinc plated

Part No.	D (mm)	D (°)	DN	B (mm)	H (mm)	b x s (mm)	d1 (mm)	k (mm)	F <sub>a,z</sub> (N)	Pack 1	Pack 2
0805017	16	3/8	10	47.5	16.3	15 x 0.8	Ø 6.5	34.5	1,000	100	1,000
0805021	20	1/2	15	53.8	20.3	12 x 1.2	Ø 6.5	40.8	1,500	100	1,000
0805022	22	-	-	55.5	23.3	15 x 1.2	Ø 6.5	42.5	1,500	100	1,000
0805025	25	-	-	58.0	27.8	15 x 1.2	Ø 6.5	45.0	1,500	100	1,000
0805027	26	3/4	20	58.5	28.3	15 x 1.2	Ø 6.5	45.5	1,500	100	1,200
0805028	28	-	-	60.5	30.3	15 x 1.2	Ø 6.5	47.5	1,500	100	1,200
0805033	32	1	25	65.5	32.8	15 x 1.2	Ø 6.5	52.5	1,500	50	500
0805043	42	1 1/4	32	84.0	43.2	20 x 1.2	8 x 6	68.0	2,000	50	600
0805048	47	1 1/2	40	93.0	46.2	20 x 1.2	8 x 6	68.0	2,000	50	600
0805050	50	-	-	95.0	50.2	20 x 1.2	8 x 6	79.0	2,000	50	600
0805061	60	2	50	105.0	60.2	20 x 1.2	8 x 6	89.0	2,000	25	-



**Complementary**  
Walraven Fastenings

**Alternative**  
BIS Industrial Saddle