

BIS Pipe Reinforcement

support for plastic pipe Ø 16 - 160 mm

(K 35 05)

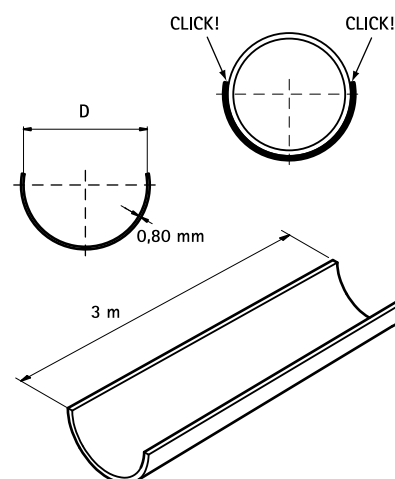


BISMAT® 5000

Features and Benefits

- self-gripping and continuous support for plastic pipes to prevent unsatisfactory deflections
- allows for longer distance between supports (fixing distance with reinforcement is 1.5 times longer than the distance without reinforcement)
- controls direction of pipe expansion. Maintains alignment of pipe, and prohibits "snaking"
- reinforcement fits inside insulation
- pre-galvanized
- lightweight and economical, also 3 meter lengths are easy to handle
- eases handling and speeds installation of PEX tubing
- can be cut with hand tools
- material: steel
- to be used with e.g. BISMAT® 5000, BIS Bifix® 5000 and BIS Polymat®

Part No.	D (mm)	Model	L	BndS
0635316	16	With click-effect	3 m	75
0635320	20	With click-effect	3 m	75
0635325	25	With click-effect	3 m	75
0635332	32	With click-effect	3 m	75
0635340	40	With click-effect	3 m	15
0635350	50	With click-effect	3 m	15
0635356	56	-	3 m	15
0635363	63	With click-effect	3 m	15
0635375	75	With click-effect	3 m	15
0635390	90	With click-effect	3 m	15
0635391	110	With click-effect	3 m	15
0635392	125	-	3 m	15
0635393	160	-	3 m	15



Complementary

- BISMAT® 5000
- Bifix® 5000 G2 (BUP1000)
- BIS 3000 (zp)