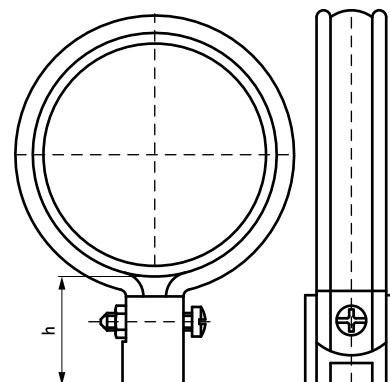


BIS PVC Pipe Clamp

for plastic pipes for rain water pipes 32 - 160 mm

(C 20 05)

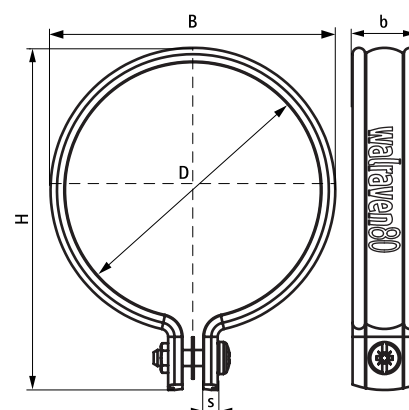


Features and Benefits

- one-part clamp
- for fixing of PVC rain water pipes
- for fixing of PVC pipe
- improved design
- Part No. 13701XX only suitable for threaded connector M8
- Part No. 1300XXX: locking screw and nut connected to band, which makes it impossible to lose screw
- material: hard PVC (polyvinylchloride), grey
- UV-stabilized

Part No.	D (mm)	B (mm)	H (mm)	h (mm)	b x s (mm)	Colour	F _{a,z} (N)	Pack 1
1300032	32	41	60	min 29.5	20 x 4.0	Grey (RAL 7001)	700	25
1300040	40	49	67	min 29.5	20 x 4.0	Grey (RAL 7001)	700	25
1300050	50	59	78	min 29.5	20 x 4.0	Grey (RAL 7001)	700	25
1300060	60	69	87	min 29.5	20 x 4.0	Grey (RAL 7001)	700	25
1300070	70	79	97	min 29.5	20 x 4.0	Grey (RAL 7001)	700	25
1300075	75	84	102	min 29.5	20 x 4.0	Grey (RAL 7001)	700	25
1300080	80	89	107	min 29.5	20 x 4.0	Grey (RAL 7001)	700	25
1300090	90	99	117	min 29.5	20 x 4.0	Grey (RAL 7001)	700	25
1300100	100	109	127	min 29.5	20 x 4.0	Grey (RAL 7001)	700	25
1300110	110	119	137	min 29.5	20 x 4.0	Grey (RAL 7001)	700	25
1300125	125	134	152	min 29.5	20 x 4.0	Grey (RAL 7001)	700	25
1370110	110	120	138	min 35.5	20 x 6.0	Grey (RAL 7001)	1,360	15
1370125	125	135	153	min 35.5	20 x 6.0	Grey (RAL 7001)	1,360	15
1370160	160	170	188	min 35.5	20 x 6.0	Grey (RAL 7001)	1,360	15
1301080	80	89	107	min 29.5	20 x 4.0	White (RAL 9010)	700	25
1301100	100	109	127	min 29.5	20 x 4.0	White (RAL 9010)	700	25
1304070	70	79	97	min 29.5	20 x 4.0	Brown (RAL 8017)	700	25
1304080	80	89	107	min 29.5	20 x 4.0	Brown (RAL 8017)	700	25
1304100	100	108	127	min 29.5	20 x 4.0	Brown (RAL 8017)	700	25

From Ø 110 mm only to be used for unfilled pipes i.e. ventilation etc.
Clamps with diameter Ø70, Ø80 and Ø100 for rainwater drainage applications.



Complementary

- BIS Threaded Connector
- BIS Expansion Joint Bracket (BUP1000)
- BIS Leaf Trap

Complementary

- BIS Intruder Deterrent Clamp

Alternative

- BIS Hinged Pipe Clamp 400 (Round)