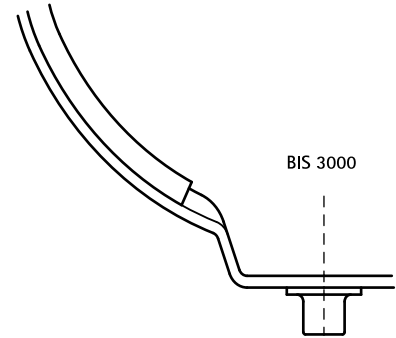


# BIS Lining 3000 Clamp

(B 35 20)



## Features and Benefits

- to be used in combination with BIS Clamp 3000 (Part No. 081 1 XXX)
- material: LDPE (low density polyethylene), grey
- working temperature from -20 °C to +40 °C

Part No.	L	B (mm)	b (mm)	Pack 1	App.
0814025	25 m	25	15	100	m.

