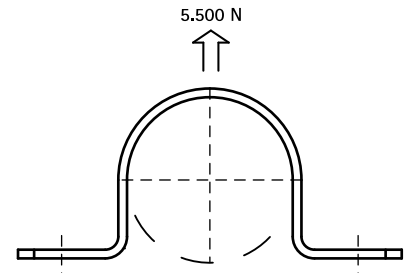


BIS Industrial Saddle

for steel pipes 26.9 - 315.0 mm

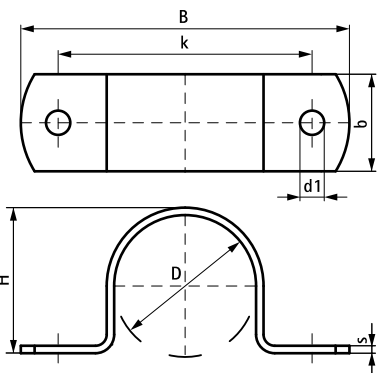
(B 15 05)



Features and Benefits

- one-part saddle
- material: steel
- hot dip galvanized

| Part No. | D (mm) | D (") | DN | B (mm) | H (mm) | b x s (mm) | d1 (mm) | k (mm) | F _{a,z} (N) | Pack 1 |
|----------|-----------|----------|-----|-----------|-----------|---------------|------------|-----------|-------------------------|--------|
| 4608027 | 26.9 | 3/4 | 20 | 88 | 30 | 25 x 2.5 | Ø 9 | 58 | 5,500 | 50 |
| 4608033 | 33.7 | 1 | 25 | 94 | 36 | 25 x 2.5 | Ø 9 | 64 | 5,500 | 50 |
| 4608042 | 42.4 | 1 1/4 | 32 | 103 | 45 | 25 x 2.5 | Ø 9 | 73 | 5,500 | 50 |
| 4608048 | 48.3 | 1 1/2 | 40 | 109 | 51 | 25 x 2.5 | Ø 9 | 79 | 5,500 | 50 |
| 4608060 | 60.3 | 2 | 50 | 120 | 63 | 25 x 2.5 | Ø 9 | 90 | 5,500 | 50 |
| 4608077 | 76.1 | 2 1/2 | 65 | 137 | 80 | 25 x 2.5 | Ø 9 | 107 | 5,500 | 50 |
| 4608089 | 88.9 | 3 | 80 | 149 | 92 | 25 x 2.5 | Ø 9 | 119 | 5,500 | 50 |
| 4608110 | 110 | - | - | 176 | 110 | 30 x 4.0 | Ø 11 | 146 | 5,500 | 50 |
| 4608114 | 114.3 | 4 | 100 | 180 | 118 | 30 x 4.0 | Ø 11 | 150 | 5,500 | 50 |
| 4608125 | 125 | - | - | 191 | 125 | 30 x 4.0 | Ø 11 | 161 | 5,500 | 25 |
| 4608140 | 139.7 | 5 | 125 | 206 | 144 | 30 x 4.0 | Ø 11 | 176 | 5,500 | 25 |
| 4608160 | 160.0 | 6 | 150 | 226 | 164 | 30 x 4.0 | Ø 11 | 196 | 5,500 | 20 |
| 4608168 | 168.3 | 6 | 150 | 234 | 172 | 40 x 4.0 | Ø 11 | 204 | 5,500 | 20 |
| 4608200 | 200.0 | - | - | 290 | 200 | 40 x 5.0 | 15 x 10.5 | 260 | 5,500 | 20 |
| 4608219 | 219.1 | 8 | 200 | 309 | 219 | 40 x 5.0 | 15 x 10.5 | 279 | | 1 |
| 4608225 | 225.0 | 8 | 200 | 315 | 230 | 40 x 5.0 | 15 x 10.5 | 285 | 5,500 | 1 |
| 4608250 | 250.0 | - | - | 340 | 250 | 40 x 5.0 | 15 x 10.5 | 310 | 5,500 | 1 |
| 4608273 | 273.0 | 10 | 250 | 363 | 278 | 40 x 5.0 | 15 x 10.5 | 333 | 5,500 | 20 |
| 4608315 | 315.0 | 12 | 300 | 405 | 320 | 40 x 5.0 | 15 x 10.5 | 375 | 5,500 | 1 |



Alternative
BIS Pipe Saddle hdg