

# BIS HK

fixing to concrete, brick

(L 05 60)



## Features and Benefits

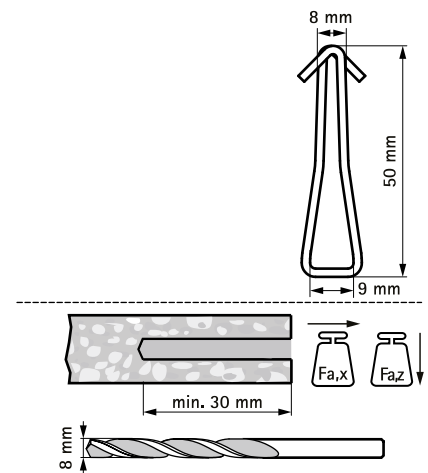
- for fixing of steel wire, suspension band or chain in concrete and solid stone
- for suspension of static loads such as air ducts, lowered ceilings, etc. to concrete
- also suitable for outside use
- drill 8 mm hole and hammer in HK wire anchor
- HK: for cables / BIS DobyGrip
- material: stainless steel 1.4401 (AISI 316)
- better fire resistance than plastic plugs
- tested by CSTB
- test report EPOD/06-05 (HK)



HK: Report EPOD/-6-05

Part No.	Model	F <sub>a,z</sub> (N)	F <sub>a,x</sub> (N)	CSTB	Pack 1	Pack 2
61073134	HK, without cap	800	800	CSTB	200	1,200
61073224	HK, with cap	800	800	CSTB	100	600

Max. allowed load (Fa) in concrete (350 kg/m<sup>3</sup>), drill hole Ø 8 mm.  
Safety margin 1:4.



### Complementary

- BIS Suspension Band - Plated
- BIS Chain (DIN 5685)
- BIS DobyGrip Loop

### Complementary

- BIS DobyGrip Snap End Hook
- BIS DobyGrip Wire Reel