

BIS Expansion Device

(E 10 22)

fixing with sliding assemblies



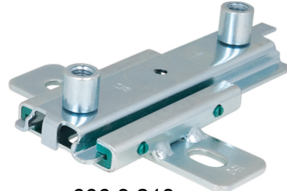
666 3 410



666 3 412



666 3 416



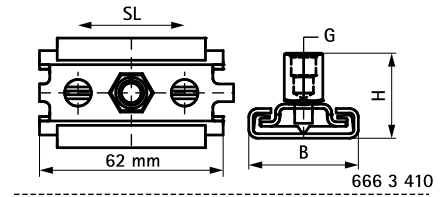
666 3 210

Features and Benefits

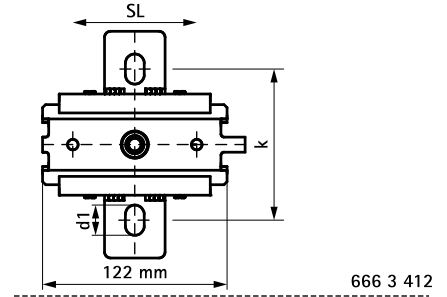
- single and double brackets for pipe extensions
- friction coefficient $\mu = 0.18$; Sliding friction coefficient $\mu = 0.14$
- fix directly on the building structure or in combination with rail systems
- zinc plated
- suitable for ceiling mounting (suspended) and floor mounting (standing mounted)
- temperature resistance up to $+120\text{ }^{\circ}\text{C}$
- a variety of connection possibilities, can be combined with all pipe clamps
- Part No. 6663416: temperature resistance up to $+240\text{ }^{\circ}\text{C}$
- material: metal parts made of steel; plastic parts made of POM (polyoxymethylene) / PPS (polyamphenylensulfid)

| Part No. | Model | G | B | H | d1 | k | SL (max.) | F _{a,z} | F _{a,z 2} | Pack 1 |
|----------|--------|--------|------|------|-----------|------|-----------|------------------|--------------------|--------|
| | | | (mm) | (mm) | (mm) | (mm) | (mm) | (N) | (N) | |
| 6663410 | Single | M8/10 | 37 | 29 | 8.4 | - | 42 | 700 | 700 | 50 |
| 6663412 | Single | M10/12 | 150 | 46 | 20 x 12.5 | 100 | 80 | 2,300 | 2,300 | 10 |
| 6663416 | Single | M12/16 | 188 | 57 | 20 x 12.5 | 157 | 120 | 5,000 | 9,000 | 10 |
| 6663210 | Double | M10/12 | 150 | 46 | 20 x 12.5 | 100 | 140 | 2,300 | 2,300 | 10 |

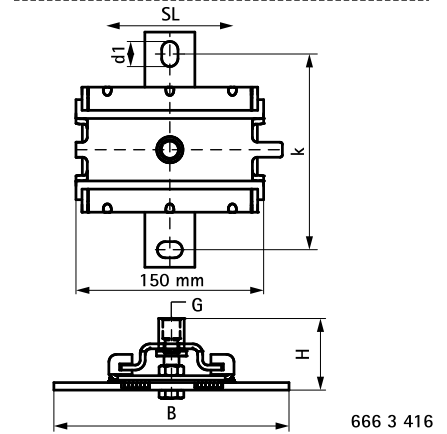
F_{a,z} = standing mounted; F_{a,z 2} = suspended.



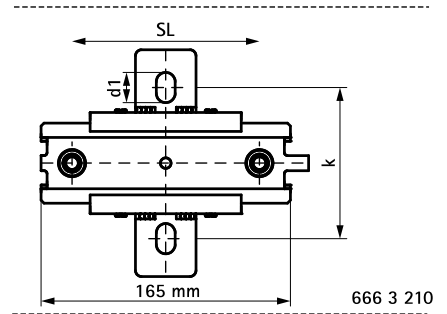
666 3 410



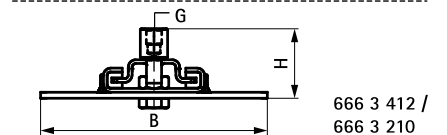
666 3 412



666 3 416



666 3 210



666 3 412 /
666 3 210

Complementary

Walraven Stud Bolt
Walraven Threaded Rod
WDI1 Drop-in Anchor

Complementary

WTB1 Throughbolt Anchor

Alternative

BIS Expansion Device (BUP1000)
BIS Expansion Guide Assembly (BUP1000)