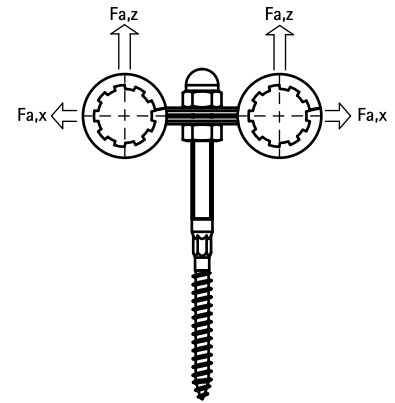


BIS Double Wall Clamp with Lining

(A 15 10)

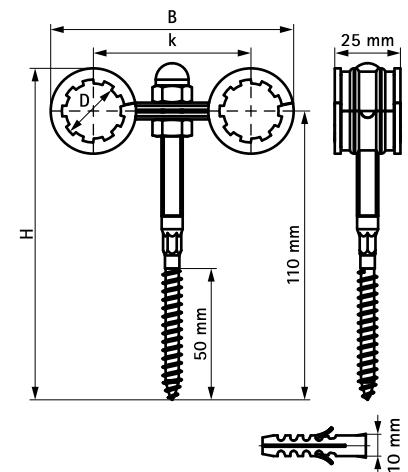
for metal heating pipes 15 - 33 mm



Features and Benefits

- for fixing of two pipes
- two parts of the clamp interlock
- bolt-wood screw with shoulder, making a lock nut unnecessary
- material: steel
- pre-galvanized
- age resistant lining
- sound insulating lining according to DIN 4109

Part No.	D (mm)	D (")	DN	B (mm)	H (mm)	k (mm)	F _{a,z} (N)	F _{a,x} (N)	Pack 1
3535015	15	-	-	87	124	60	230	200	25
3535017	18	3/8	10	89	125	60	230	200	25
3535021	22	1/2	15	93	126	60	230	330	25
3535027	28	3/4	20	98	129	60	230	330	25
3535033	33	1	25	115	133	70	230	330	25



Complementary

BIS Under Floor / Radiator Brackets

Alternative

BIS Duplo Double Clamp with Lining