

BIS DobyGrip Stud

(K 65 10)

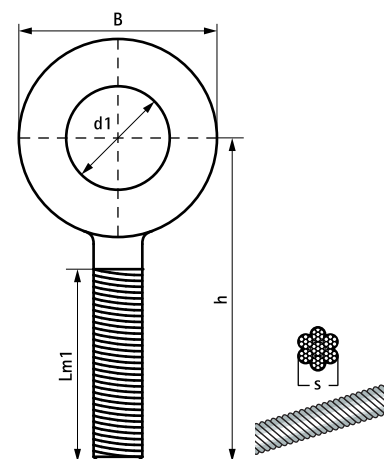


Features and Benefits

- for a quick and easy fixing to ceilings by means of a wall plug/drop-in-anchor
- reduces installation time compared to conventional methods
- wire suspension system for high loads
- all wires are supplied including BIS DobyGrip Lock
- material: 7x7 stranded galvanized steel wire rope
- strict quality inspection procedures and independent tests ensure reliability
- see also: BIS DobyGrip Info Page

Part No.	G	L	B	h	s	d1	Lm1	F _{a,z} (N)	Pack 1	Pack 2
			(mm)	(mm)	(mm)	(mm)	(mm)			
09482281	M8	1 m	25	74	2.0	Ø 13	56	500	10	250
09482282	M8	2 m	25	74	2.0	Ø 13	56	500	10	100
09482283	M8	3 m	25	74	2.0	Ø 13	56	500	10	100
09482285	M8	5 m	25	74	2.0	Ø 13	56	500	10	100

Loads tested to a 5:1 safety factor. All ratings were determined by independent testing by Northumbria University and witnessed by Lloyds Register.



Complementary
 BIS Toggle Plug (Stud-end)
 BIS TWIST