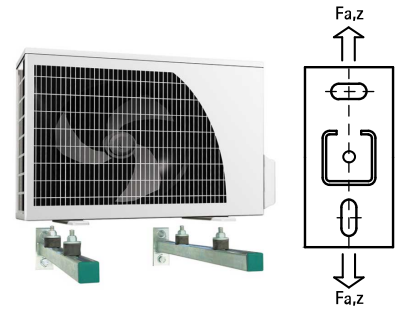
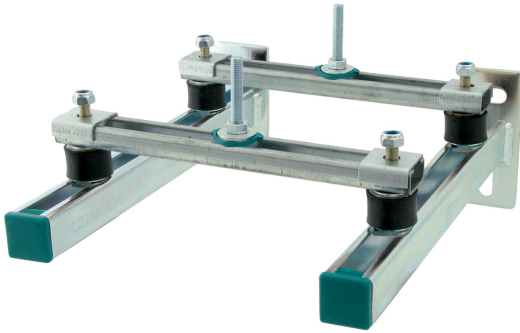


BIS Console Kit ISO – with Bridging

(G 25 10)

wall fixing of appliances



Features and Benefits

- universal fixing kit
- for wall fixing of water pumps, compressors and other light duty machinery
- bridging rail for fixing of devices with 2 fixing holes
- vibration isolators pre-assembled with slide nut, washer and hexagon head lock-nut
- material: steel
- zinc plated
- noise insulation by use of vibration isolators (support made of vulcanized rubber)
- consists of:
 - 2 Cantilever arms
 - 2 bridgings of rail WM1 (30x15 mm)
 - 4 Vibration isolators
 - 2 Slide tee-bolt assemblies
 - 2 Rail End Caps
 - 1 Mounting kit

| Part No. | L | T _(max.) (Nm) | From Rail | F _{a,z} (N) | Pack 1 |
|----------|--------|-----------------------------|-----------|-------------------------|--------|
| 6923235 | 300 mm | 15.0 | WM2 | 1,200 | 4 |
| 6923245 | 400 mm | 15.0 | WM2 | 700 | 6 |

