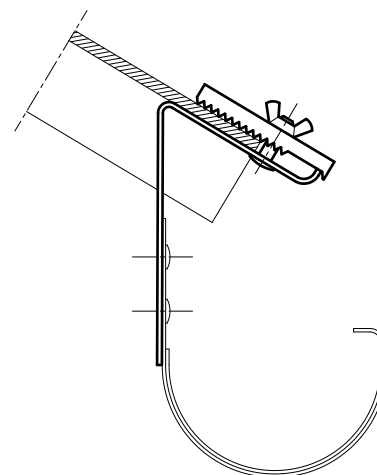


# BIS Clamp for Corrugated Sheet

(K 27 05)



## Features and Benefits

- for a tightened fixing of gutter to corrugated sheets
- no damage to corrugated sheet (suitable for every thickness)
- material: steel
- hot dip galvanized

Part No.	Pack 1
5191000	50

