

# BIS Cablefix

(J 58 20)

40 - 100 mm

A



B

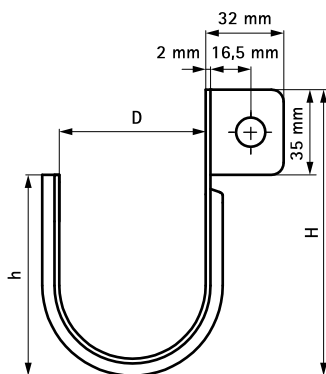


## Features and Benefits

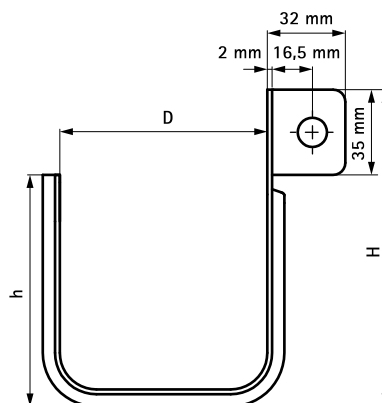
- for fixing of all kinds of low and medium voltage electrical cables, telecommunication cables, cable protection pipes
- easy to install, without tools
- several cables can be installed together
- insulation coating for electrical cables
- Part No. 6794XXX: material: made of steel, pre-galvanized + plastic coated

Part No.	D (mm)	H (mm)	h (mm)	ST	Pack 1
A 6794040	40	91	47	plastic coated	25
A 6794060	60	111	68	plastic coated	25
B 6794080	80	130	86	plastic coated	25
B 6794100	100	121	104	plastic coated	25

A



B



## Complementary

BIS Fixing Rail for BIS Cablefix