

# BIS Aero<sup>®</sup>

for spiral ducts 80 - 1,250 mm

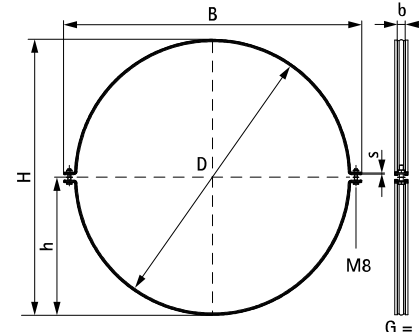
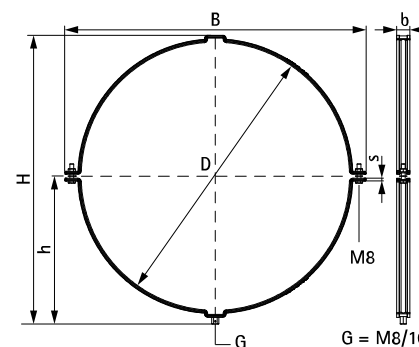
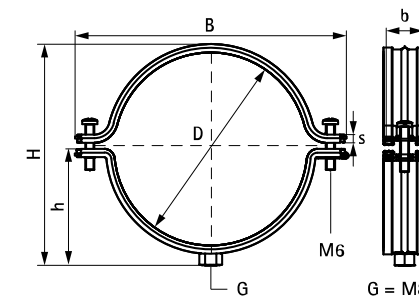
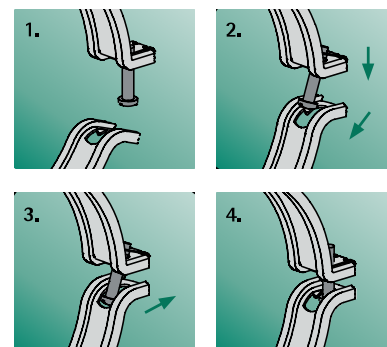
M8 - M8/10

(F05 03)



## Features and Benefits

- with quick locking system
- patented design
- rubber lining is conjoined with the clamp (lining stays attached when sliding the spiral duct)
- pre-galvanized
- material: pipe clamp made of steel
- noise insulating lining made of TPE rubber, black



Part No.	D (mm)	G	B (mm)	H (mm)	h (mm)	b (mm)	s (mm)	F <sub>a,z</sub> (N)	Pack 1
4115080	80	M8	134	84	54	25	1.25	700	25
4115100	100	M8	155	115	64	25	1.25	700	25
4115125	125	M8	179	139	76	25	1.25	700	20
4115140	140	M8	197	162	85	25	1.25	720	20
4115150	150	M8	205	164	88	25	1.25	720	20
4115160	160	M8	215	175	93	25	1.25	720	20
4115180	180	M8	238	202	105	25	1.25	720	20
4115200	200	M8	255	215	114	25	1.25	720	20
4115225	225	M8	280	246	126	25	1.25	720	20
4115250	250	M8	306	265	138	25	1.25	720	20
4115280	280	M8	336	302	154	25	1.25	720	25
4115300	300	M8	356	322	164	25	1.25	720	25
4115315	315	M8	371	332	172	25	1.25	720	25
4115355	355	M8	411	371	192	25	1.25	720	25
4115400	400	M8	457	423	214	25	1.25	720	20
4115450	450	M8/10	524	498	256	25	2.00	1,150	3
4115500	500	M8/10	574	548	281	25	2.00	1,150	3
4115560	560	M8/10	634	608	311	25	2.00	1,150	3
4115600	600	M8/10	675	649	332	25	2.00	1,150	3
4115630	630	M8/10	705	679	347	25	2.00	1,150	3
4115710	710	-	785	732	366	25	2.00	1,150	3
4115800	800	-	875	817	409	25	2.00	1,150	3
4115900	900	-	975	917	459	25	2.00	1,150	3
4115999	1,000	-	1,076	1,018	509	25	2.00	1,150	3
4115997	1,120	-	1,196	1,138	569	25	2.00	1,150	3
4115998	1,250	-	1,326	1,268	634	25	2.00	1,150	3

D ≥ 450 mm locking: 2 hexagon head bolts with nut.

D ≥ 710 mm without connection nut.

The max. allowed load (F<sub>a,z</sub>) is calculated using specific statistical methods related to the breaking load, taking into account a deflection of 1.5 mm or 2% of the maximum nominal clamp diameter.