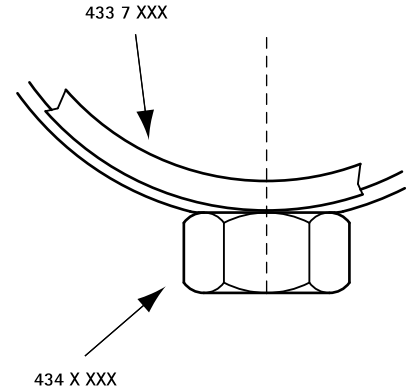


# BIS 434 Stainless Steel Clamp

(M 15 10)

for PE-pipes Ø 32 - 200 mm

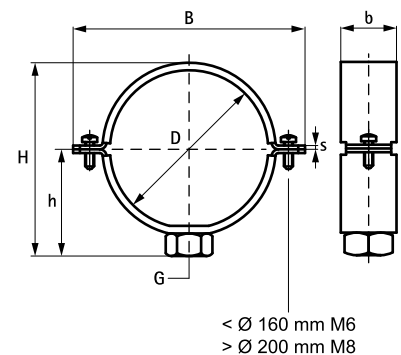
M10



## Features and Benefits

- two-screw clamp
- for rigid fixing point fastening it is necessary to use metal clamp liners (Part No. 4337XXX)
- screws secured with anti-loss washer
- material: stainless steel 1.4401 (AISI 316)

Part No.	D (mm)	DN	G	B (mm)	H (mm)	h (mm)	b x s (mm)	F <sub>a,z</sub> (N)	Pack 1
4347032	32	25	M10	75	50	30	30 x 3.0	4,160	50
4347040	40	32	M10	82	58	34	30 x 3.0	4,160	50
4347050	50	40	M10	92	69	39	30 x 3.0	4,160	50
4347063	63	57	M10	105	81	45	30 x 3.0	4,160	50
4347075	75	70	M10	117	94	51	30 x 3.0	4,160	25
4347090	90	80	M10	132	108	59	30 x 3.0	4,160	25
4347110	110	100	M10	152	128	69	30 x 3.0	4,160	25
4347125	125	125	M10	167	143	76	30 x 3.0	4,160	25
4347160	160	150	M10	202	178	92	30 x 3.0	4,160	25
4347200	200	200	M10	278	218	112	30 x 3.0	4,160	10
4387200	200	200	G1"	278	251	147	30 x 3.0	3,180	25
4387250	250	250	G1"	330	301	172	30 x 3.0	3,180	10



### Complementary

- BIS Stainless Steel Wall Plate Resistance Welded
- BIS Stainless Steel Hanger Bolt
- BIS Metal Liner 434 Clamp

### Complementary

- BIS Lining 434 Clamp