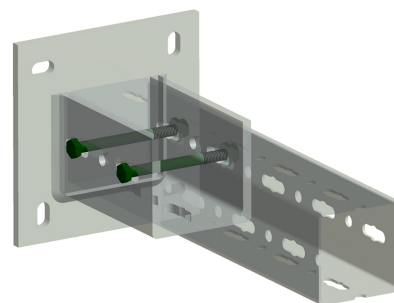


Maxx Bolt Set (ZTD)

for fixing to Maxx Heavy Rail Profiles

(H2 05 28)



Features and benefits

- for fixing in profile perforation
- the bolt size is ideally suited to fit the perforation of Maxx Heavy Rail Profile
- max. torque is 80Nm
- hexagon nut with collar
- material: steel, strength class 8.8
- surface treatment: Zink-Thermo-Diffusion
- consists of:
 - 1 bolt
 - 1 nut
 - 1 washer

Part No.	Model	G	L	Pack 1
614581213	Maxx 100 Bolt Set	M12	140 mm	25
614581216	Maxx 120 Bolt Set	M12	160 mm	25
614581614	Maxx 100 Bolt Set	M16	140 mm	25
614581616	Maxx 120 Bolt Set	M16	160 mm	25



Complementary

Maxx Heavy Rail Profile
 Maxx Wall Plate
 Maxx Profile Connector 90°

Complementary

Maxx Linear Connector
 Maxx T-Connector
 Maxx Cross Connector