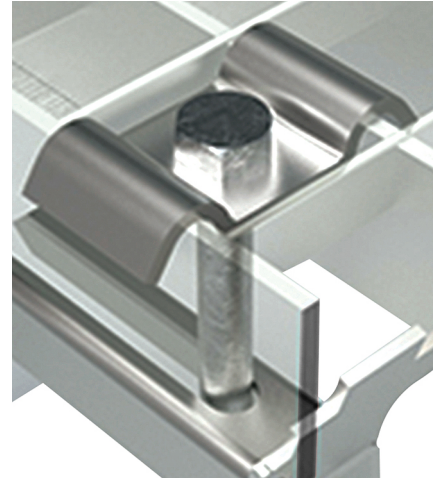


# Fastening Set for Grids

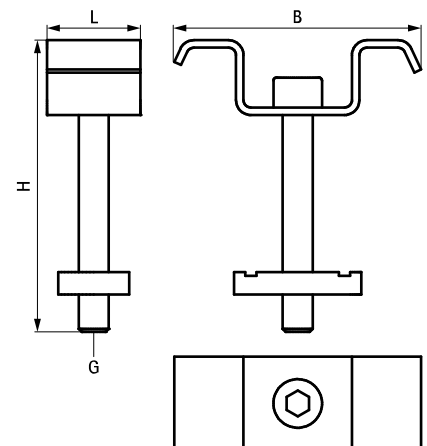
(104 18)



## Features and benefits

- set contains 4 top plates, 4 screws and 4 hot dip galvanized slidenuts
- W-shaped top plate for optimal fit to grids and flat top surface
- material: steel

| Part No.   | G  | L     | B<br>(mm) | H<br>(mm) | Set    | Pack 1 |
|------------|----|-------|-----------|-----------|--------|--------|
| 6769 9 000 | M8 | 21 mm | 60        | 68        | 4 pcs. | 1      |



**Complementary**  
 BIS Yeti® Service Deck Grid  
 BIS Yeti® Service Deck Step