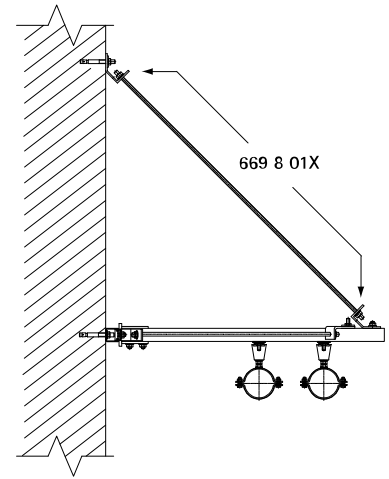


BIS Threaded Rod Support

(E 05 60)



Features and benefits

- for strengthening rail constructions with the aid of threaded rods
- also suitable for bracing cantilever arms
- material: steel 1.0332

Part No.	L1 (mm)	L2 (mm)	L3 (mm)	B (mm)	s (mm)	d1 (mm)	d2 (mm)	a (°)	a2 (°)	F _{a,z} (N)	Pack 1
6698013	31	31	42	35	6.0	Ø 13.0	Ø 13.0	90	45	3,000	25

Max. allowed load (F_{a,z}) under an angle of 45°.

