

# BIS Threaded Rod (BUP1000)

(K 55 08)

fixing to rail, wall plates, etc.



## Features and benefits

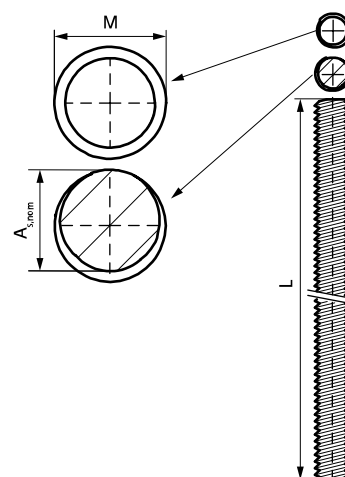
- according to DIN 976-1
- material: steel, strength class 4.8
- surface protection:
  - product is part of the Walraven BIS UltraProtect® 1000 system
  - suitable for in- and outdoor applications
  - stands min. 1,000 hours salt spray test (max. 5% red rust) according to ISO 9227



| Part No. | Type      | Thread (M) | L   | A <sub>s,nom</sub><br>(mm <sup>2</sup> ) | F <sub>a,z</sub><br>(N) | BndS |
|----------|-----------|------------|-----|--|-------------------------|------|
| 63081008 | DIN 976-1 | M8         | 1 m | 36.6                                     | 9,700                   | 50   |
| 63082008 | DIN 976-1 | M8         | 2 m | 36.6                                     | 9,700                   | 25   |
| 63081010 | DIN 976-1 | M10        | 1 m | 58.0                                     | 15,400                  | 25   |
| 63082010 | DIN 976-1 | M10        | 2 m | 58.0                                     | 15,400                  | 20   |
| 63081012 | DIN 976-1 | M12        | 1 m | 84.3                                     | 22,400                  | 20   |
| 63082012 | DIN 976-1 | M12        | 2 m | 84.3                                     | 22,400                  | 15   |
| 63081016 | DIN 976-1 | M16        | 1 m | 157.0                                    | 41,800                  | 10   |
| 63082016 | DIN 976-1 | M16        | 2 m | 157.0                                    | 41,800                  | 10   |

M10 tested for fire safety according to EN 1366-1.

M12 tested for fire safety according to EN 1366-1.



## Complementary

- BIS Stud Connector (BUP1000)
- BIS Stud Connector
- BIS Threaded Rod Connector