

BIS Strut Z-Bracket (BUP1000)

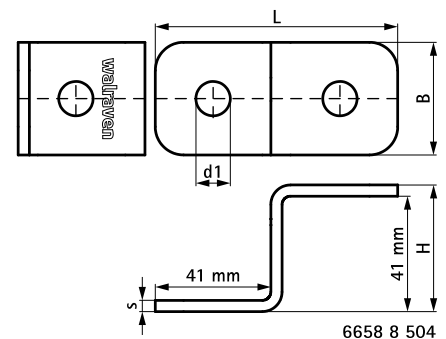
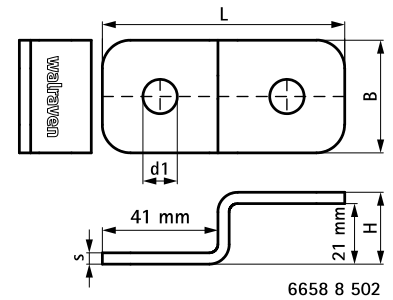
(H 28 128)



Features and benefits

- to connect Strut rails to wall or ceiling
- connector to make Z-connections between Strut rails
- user friendly by rounded edges
- material: steel 1.0242 (S250GD) + ZM310 MAC
- surface protection:
 - product is part of the BIS UltraProtect® 1000 system
 - suitable for in- and outdoor applications
 - stands min. 1,000 hours salt spray test (max. 5% red rust) according to ISO 9227

Part No.	L	B	H	s	d1	For Rail	Pack 1
		(mm)	(mm)	(mm)	(mm)		
6658 8 502	86 mm	40	25.5	4.0	Ø 12	Strut 41x21	50
6658 8 504	86 mm	40	45	4.0	Ø 12	Strut 41x41 + 41x21D	50



Complementary

- BIS RapidStrut® Fixing Rail (BUP1000)
- BIS RapidStrut® Fixing Rail DS 5 (BUP1000)
- BIS Strut Slide Nut (BUP1000)

Complementary

- BIS RapidStrut® Slide Nut with Plastic Tabs (BUP1000)
- BIS Washer (Flat) (BUP1000)

Alternative

- BIS RapidStrut® Cross Connector G2 (BUP1000)