

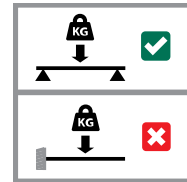
BIS Strut T-Connector (BUP1000)

(H 28 118)

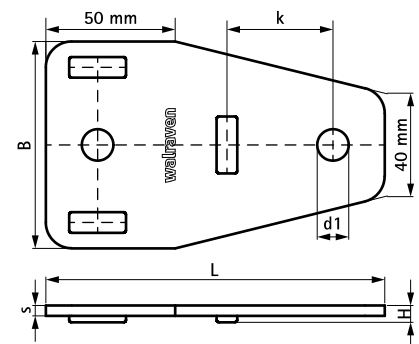


Features and benefits

- T-connector for Strut rails
- extra safety by locking notches to prevent turning
- material: steel 1.0242 (S250GD) + ZM310 MAC
- surface protection:
 - product is part of the Walraven BIS UltraProtect® 1000 system
 - suitable for in- and outdoor applications
 - stands min. 1,000 hours salt spray test (max. 5% red rust) according to ISO 9227



Part No.	L	B	H	s	d1	k	For Rail	Pack 1
		(mm)	(mm)	(mm)	(mm)	(mm)		
66588301	131 mm	80	6.5	4.0	Ø 12.2	41	Strut	25



Complementary

- Walraven RapidStrut® Fixing Rail DS 5 (BUP1000)
- Walraven RapidStrut® Fixing Rail (BUP1000)
- Walraven Strut Slide Nut (BUP1000)

Complementary

- Walraven RapidStrut® Slide Nut with Plastic Tabs (BUP1000)
- BIS Washer (Flat) (BUP1000)

Alternative

- BIS RapidStrut® Rail T- and X-Connector G2 (BUP1000)