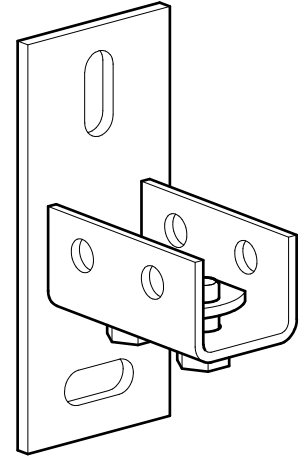
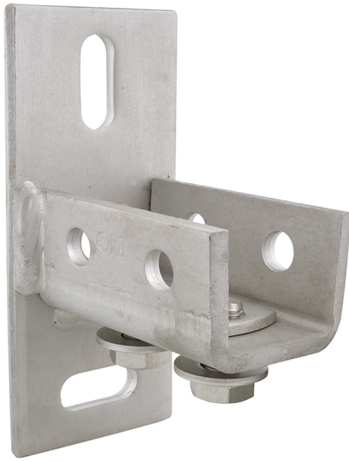


# BIS Strut Stainless Steel Wall Plate Heavy

(M 52 05)

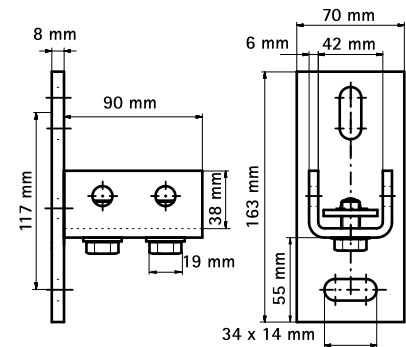
fixing to wall



## Features and benefits

- U-profile welded on wall plate
- for wall fixing of rail
- rail can be fixed with slot downwards or sideways
- with pre-assembled slide nuts
- heavy design
- material: stainless steel 1.4401 (AISI 316)

Part No.	T <sub>(max.)</sub> (Nm)	For Rail	Pack 1
6571804	-	Strut	10



Complementary  
BIS RapidStrut® Stainless Steel Fixing Rail