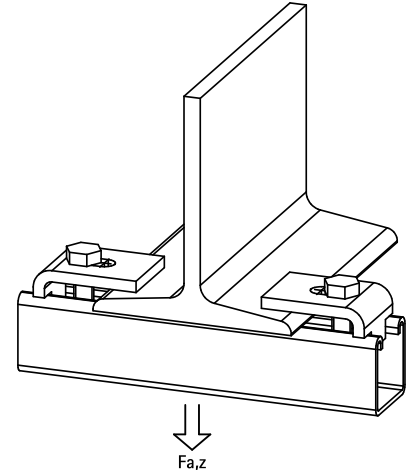


BIS Strut Rail Beam Clamp

to make Strut rail fabrications

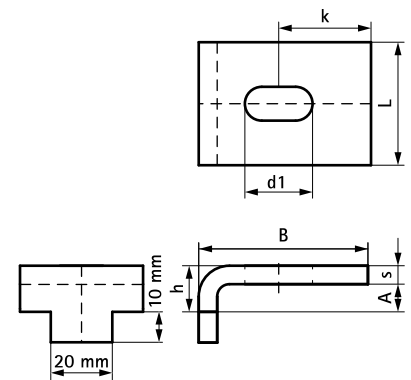
(H 36 15)



Features and benefits

- for a solid fixing to steel construction
- material: steel 1.0332
- without the need for welding or drilling
- always use 2 beam clamps per fixing
- zinc plated

| Part No. | A (mm) | L (mm) | B (mm) | h (mm) | s (mm) | d1 (mm) | k (mm) | F _{a,z} (N) | Pack 1 |
|----------|-----------|-----------|-----------|-----------|-----------|------------|-----------|-------------------------|--------|
| 66583761 | 15 | 40 mm | 55 | 20 | 6.0 | 22 x 11 | 30 | 8,300 | 50 |



Complementary

Walraven RapidStrut® Fixing Rail (pg)
Walraven RapidStrut® Fixing Rail Double (pg)

Alternative

BIS Strut 41x21D 'Heavy Duty' Set
BIS Strut 'Heavy Duty' Beam Clamp
BIS Strut Rail Beam Clamp