

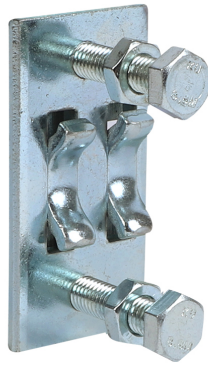
BIS Strut Inter Flange Clamp

(H 36 45)

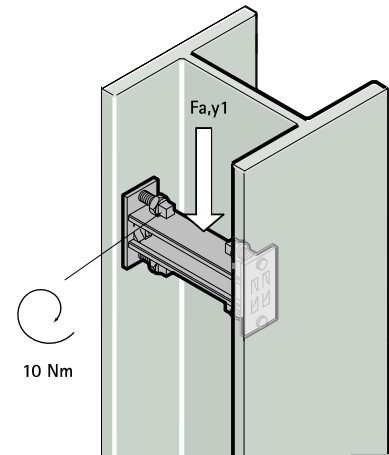
fixing to steel beam



6078021



6078041



Features and benefits

- installed in pairs at desired point, in combination with standard Strut Rail
- for bracing lighter services such as cables, pipes, etc. between the flanges of I- or U-profile steelwork without drilling or welding
- material: steel
- zinc plated
- 1 set

Part No.	L	B	s	SW1	For Rail	F _{a,y} (N)	Pack 1
607 8 021	90 mm	45	6.0	17 mm	Strut 41x21	2,100	10
607 8 041	90 mm	45	6.0	17 mm	Strut 41x41 + 41x21D	2,100	10

