

BIS Strut Connector 90° / 2D (BUP1000)

(H 28 23)

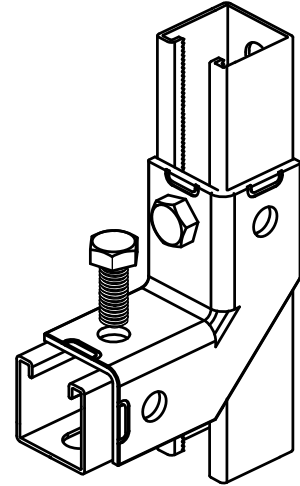
to make Strut rail fabrications



6659 8 914

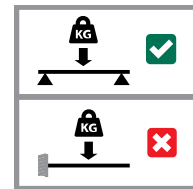


6659 8 918

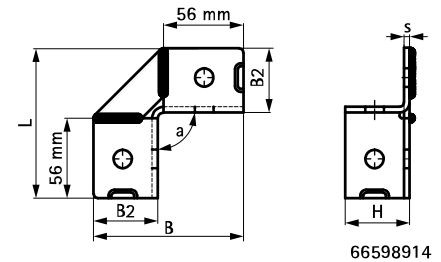


Features and benefits

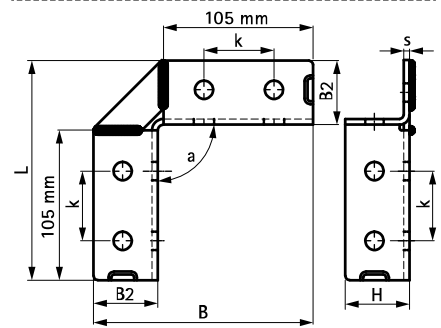
- flexible connector allows different rail positioning
- strong connection by surrounding the rail
- material: steel 1.0332
- surface protection:
 - product is part of the Walraven BIS UltraProtect® 1000 system
 - suitable for in- and outdoor applications
 - stands min. 1,000 hours salt spray test (max. 5% red rust) according to ISO 9227



Part No.	d (mm)	Model	L	B	B2	H	s	k	a	For Rail	Pack 1
66598914	13 mm	2+2 / 90	105 mm	105	45	45	4.0	-	90	Strut	10
66598918	13 mm	4+4 / 90	154 mm	154	45	45	4.0	49	90	Strut	10



66598914



66598918

Complementary

- Walraven RapidStrut® Fixing Rail (BUP1000)
- Walraven RapidStrut® Fixing Rail DS 5 (BUP1000)
- Walraven Strut Slide Nut (BUP1000)

Complementary

- BIS Hexagon Head Bolt (BUP1000)

Alternative

- BIS RapidStrut® Rail Connector 90° G2 (BUP1000)
- BIS Strut Connector 90° Rigid (BUP1000)