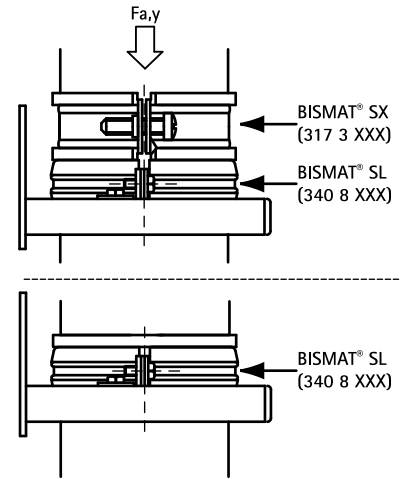


# BIS Stand Pipe Bracket

(A 30 05)

for stand pipes DN 70 - DN 200

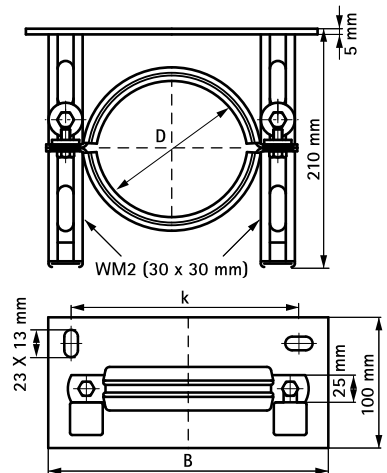


## Features and benefits

- one-part console set with BISMAT® SL Guidance clamp
- fixing free of tension throughout infinite adjustment
- material: steel
- zinc plated
- sound insulating lining according DIN 4109
- noise insulating lining, EPDM rubber, black
- lining with unique noise insulating profile at the outside edges
- age resistant lining

| Part No. | D<br>(mm) | DN  | B<br>(mm) | k<br>(mm) | F <sub>a,y</sub><br>(N) | Pack 1 |
|----------|-----------|-----|-----------|-----------|-------------------------|--------|
| 4323070  | 78        | 70  | 189       | 144       | 3,000                   | -      |
| 4323080  | 83        | 80  | 194       | 149       | 3,000                   | -      |
| 4323100  | 110       | 100 | 219       | 174       | 3,000                   | -      |
| 4323125  | 135       | 125 | 246       | 201       | 3,000                   | -      |
| 4323150  | 160       | 150 | 269       | 224       | 3,000                   | -      |
| 4323200  | 210       | 200 | 319       | 274       | 3,000                   | 80     |

Max. allowed load (F<sub>a,y</sub>): distance between wall and centre of clamp during test 130 mm. When used in combination with the BISMAT® SX-Socket Clamp the max. allowed load is determined by the SX Clamp (page A 30 15).



**Complementary**  
BISMAT® SL Guidance Clamp

**Alternative**  
BISMAT® 1000 Stand Pipe Clamp