

BIS Slide Nut 651

(G 30 10)

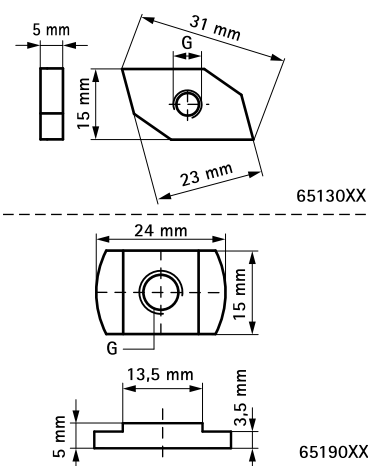
fixing to BIS RapidRail®



Features and benefits

- suitable for rail 27x18, 30x15, 30x20, 30x30, 30x45, 38x40
- material: steel
- zinc plated
- Part No. 65130XX: because of shape the nut fits in rail
- Part No. 65190XX: narrowing fits in slot of rail (locking against revolving in the same direction)

Part No.	Type	G	T _(inst.) (Nm)	For Rail	F _{a,z} (N)	Pack 1	Pack 2
6513006	651A	M6	7.5	27x18, 30x15, 30x20, 30x30, 30x45	-	100	2,000
6513008	651A	M8	10.0	27x18, 30x15, 30x20, 30x30, 30x45	-	100	2,000
6513010	651A	M10	10.0	27x18, 30x15, 30x20, 30x30, 30x45	-	100	2,000
6519006	651C	M6	7.5	27x18, 30x15, 30x20, 30x30, 30x45	3,100	50	1,000
6519008	651C	M8	10.0	27x18, 30x15, 30x20, 30x30, 30x45	3,100	50	2,000
6519010	651C	M10	10.0	27x18, 30x15, 30x20, 30x30, 30x45	3,100	50	1,000



Complementary

Walraven RapidRail® Cantilever Arm
Walraven RapidRail® Fixing Rail

Alternative

BIS RapidRail® Slide Nut