

BIS RapidStrut® Slide Nut with Plastic Tabs (BUP1000)

(H 24 35)



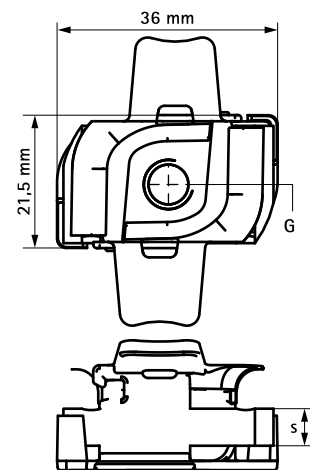
Features and benefits

- slide nut with plastic 'tabs'
- for all types of Strut Rail
- for tight fixing of accessories (e.g. connectors) on rail
- with plastic tabs which simplifies inserting and positioning
- material: slide nut made of steel 1.0332; tabs made of PP (polypropylene), green
- surface protection:
 - product is part of the Walraven BIS UltraProtect® 1000 system
 - suitable for in- and outdoor applications
 - stands min. 1,000 hours salt spray test (max. 5% red rust) according to ISO 9227
- tested for fire safety



| Part No. | G | s (mm) | T _(inst.) (Nm) | For Rail | F _{a,z} (N) | F _{a,x} (N) | Pack 1 |
|-----------|-----|-----------|------------------------------|----------|-------------------------|-------------------------|--------|
| 651868006 | M6 | 5.0 | 7.0 | Strut | 2,660 | 950 | 100 |
| 651868008 | M8 | 6.0 | 25.0 | Strut | 4,500 | 2,200 | 100 |
| 651868010 | M10 | 8.0 | 40.0 | Strut | 5,000 | 2,550 | 100 |
| 651868012 | M12 | 9.0 | 50.0 | Strut | 5,000 | 2,950 | 100 |

M10 tested for fire safety according to EN 1366-1.
 M12 tested for fire safety according to EN 1366-1.
 Tested values in combination with BIS RapidStrut® Rail 41x41x2.5mm.
 More details can be found on the Technical Datasheet.



Complementary

Walraven RapidStrut® Fixing Rail DS 5
(BUP1000)

Alternative

BIS Strut Slide Nut (BUP1000)