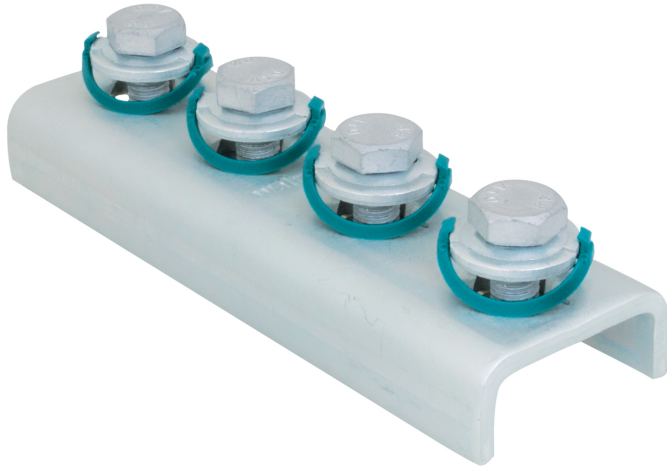


# BIS RapidStrut® Rail Connector – U-shaped G2 (BUP1000)

(H 28 89)

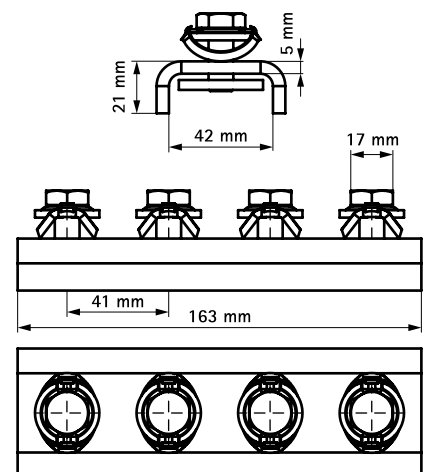
for Metal Structural Fabrications



## Features and benefits

- connector with pre-assembled BIS RapidStrut® Slide nut(s)
- to make fabrication with Strut Rail
- ready-to-use pre-assembled for a quick fixing, and retains assembly in place before final tightening
- material: metal parts made of steel 1.0332; spring(s) made of POM (polyoxymethylene), green
- surface protection:
  - product is part of the Walraven BIS UltraProtect® 1000 system
  - suitable for in- and outdoor applications
  - stands min. 1,000 hours salt spray test (max. 5% red rust) according to ISO 9227

Part No.	T <sub>(inst.)</sub> (Nm)	For Rail	Pack 1
665885421	40.0	Strut	20



## Complementary

Walraven RapidStrut® Fixing Rail DS 5  
(BUP1000)

## Alternative

BIS RapidStrut® Rail Connector G2  
(BUP1000)