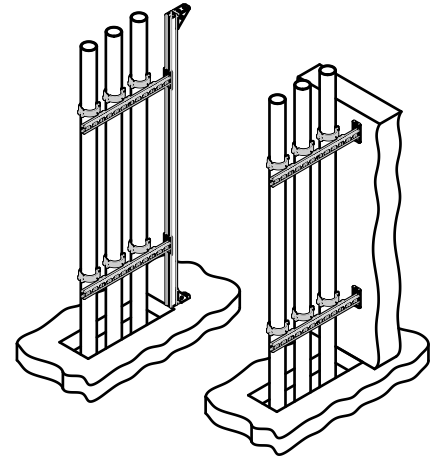


BIS RapidStrut® Cantilever Arm Vertical (BUP1000)

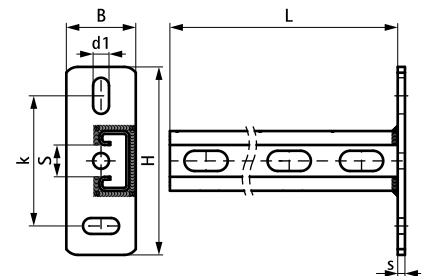
(H 08 07)



Features and benefits

- vertical welded cantilever arm for vertical pipe installations
- perfect solution for shaft situations with or without wall
- optimal utilization of the available space in shafts
- CO₂ welded
- inward formed flanges with serrated profile for extra grip
- material: steel 1.0226
- surface protection:
 - product is part of the Walraven BIS UltraProtect® 1000 system
 - suitable for in- and outdoor applications
 - stands min. 1,000 hours salt spray test (max. 5% red rust) according to ISO 9227

Part No.	L	B (mm)	H (mm)	s (mm)	d1 (mm)	S (mm)	k (mm)	From rail	Pack 1
6603828	300 mm	48	130	5.0	25 x 11	22	90	Strut 41x21	10
6603829	600 mm	48	130	5.0	25 x 11	22	90	Strut 41x21	10



Complementary

Walraven RapidStrut® Fixing Rail (BUP1000)
 BIS RapidStrut® Slide Nut G2 (BUP1000)
 BIS RapidStrut® Hammerfix G2 (BUP1000)

Complementary

BIS RapidStrut® Slide Nut with Plastic Tabs (BUP1000)
 WTB1 Throughbolt Anchor