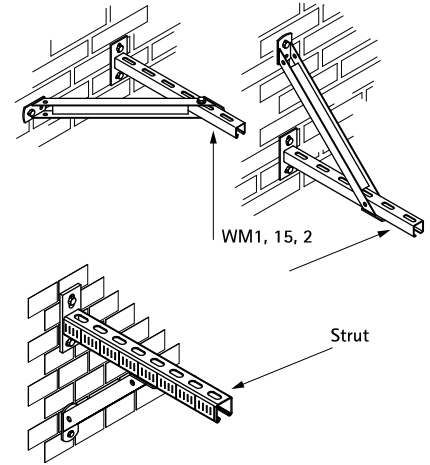


# BIS Rail Prop

reinforcement of cantilever arm

(G 20 05)

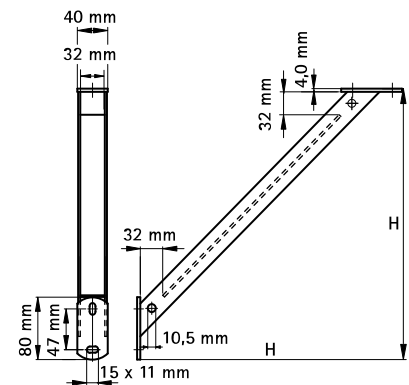


## Features and benefits

- 45° support bracket
- for fixing support under, top or on side of a cantilever arm
- also used to strengthen rail constructions
- cantilever arm of 30x45 not suitable for 'run-through fixing'
- suitable for rail 27x18, 30x15, 30x20, 30x30, 30x45
- CO<sub>2</sub> welded
- material: steel
- zinc plated

Part No.	H (mm)	For Rail	Pack 1
6628220	250	27x18, 30x15, 30x20, 30x30, 30x45	10
6628230	350	27x18, 30x15, 30x20, 30x30, 30x45	10

Rail Props for 38x40 Rail? See Part No. 66288530.



## Complementary

Walraven RapidRail® Fixing Rail  
Walraven RapidRail® Cantilever Arm