

# BIS Rail Connector

to make BIS RapidRail® fabrications

(G 35 25)

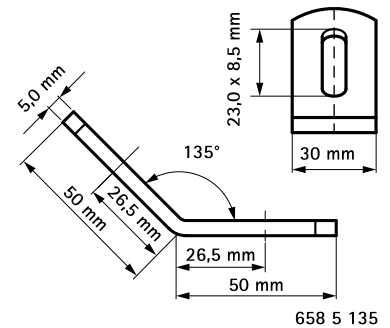
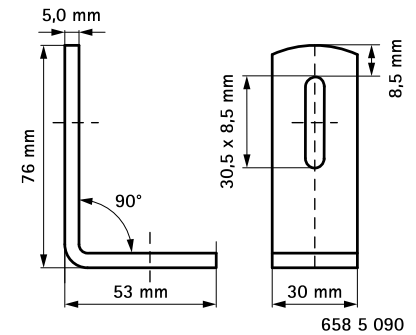
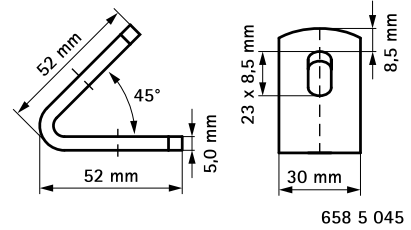
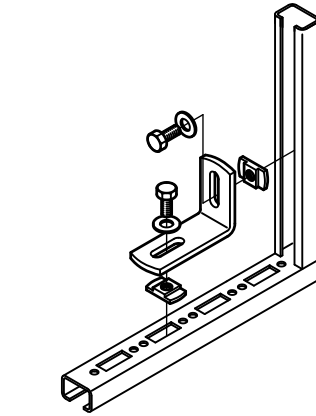


## Features and benefits

- to make rail fabrications
- suitable for WMO, 1, 15, 2, 30, 35

- material: steel
- zinc plated

Part No.	a (°)	T <sub>(max.)</sub> (Nm)	For Rail	Pack 1
6585045	45°	15.0	WM1, 2	50
6585090	90°	15.0	WMO - 35	50
6585135	135°	15.0	WMO - 35	50



**Complementary**  
BIS RapidRail® Fixing Rail

**Alternative**  
BIS RapidRail® Connector 90°