

BIS Mengering® Fix

for pipe DN 50 - DN 125

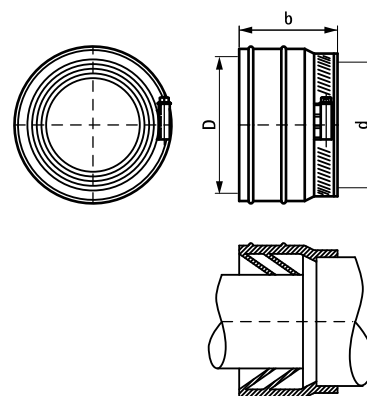
(N 15 05)



Features and benefits

- use BIS Mengering® Lubricant when fixing
- for use up to 0.5 bar internal pressure
- to connect pipes of unequal diameter or different material
- no damage to corrugated sheet (suitable for every thickness)
- locking screw: hexagon head screw with crosshead
- material: EPDM rubber, black; hose clip made of stainless steel 1.4016
- no noise transmission from pipe to pipe
- tested according to DIN 4060

Part No.	D (mm)	DN	d (mm)	b (mm)	Pack 1
7460050	58	50	40 - 56	63	50
7460070	78	70	56 - 75	77	50
7460080	83	80	75 - 90	85	20
7460100	110	100	104 - 110	95	20
7460125	135	125	125 - 135	135	10



Complementary
BIS Mengering® Lubricant