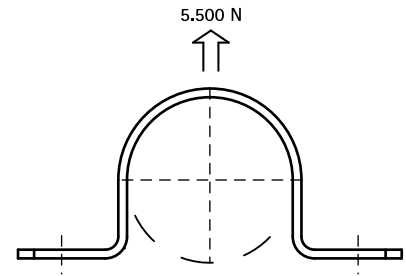


BIS Industrial Saddle

for steel pipes 26.9 - 250.0 mm

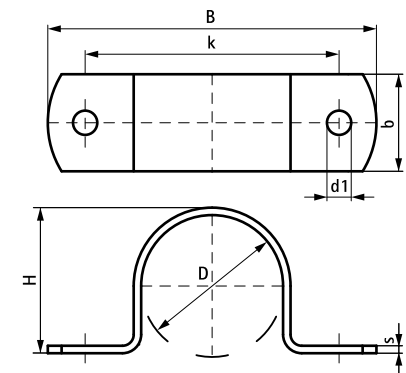
(B 15 05)



Features and benefits

- one-part saddle
- material: steel
- hot dip galvanized

Part No.	D (mm)	D (")	DN	B (mm)	H (mm)	b x s (mm)	d1 (mm)	k (mm)	F _{a,z} (N)	Pack 1
4608027	26.9	3/4	20	88	30	25 x 2.5	∅ 9	58	5,500	50
4608033	33.7	1	25	94	36	25 x 2.5	∅ 9	64	5,500	50
4608042	42.4	1 1/4	32	103	45	25 x 2.5	∅ 9	73	5,500	50
4608048	48.3	1 1/2	40	109	51	25 x 2.5	∅ 9	79	5,500	50
4608060	60.3	2	50	120	63	25 x 2.5	∅ 9	90	5,500	50
4608077	76.1	2 1/2	65	137	80	25 x 2.5	∅ 9	107	5,500	50
4608089	88.9	3	80	149	92	25 x 2.5	∅ 9	119	5,500	50
4608114	114.3	4	100	180	118	30 x 4.0	∅ 11	150	5,500	50
4608140	139.7	5	125	206	144	30 x 4.0	∅ 11	176	5,500	25
4608168	168.3	6	150	234	172	40 x 4.0	∅ 11	204	5,500	20
4608200	200.0	-	-	290	200	40 x 5.0	15 x 10.5	260	5,500	20
4608250	250.0	-	-	340	250	40 x 5.0	15 x 10.5	310	5,500	-



Alternative
BIS Pipe Saddle (hdg)