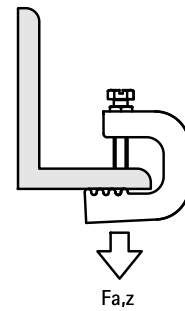
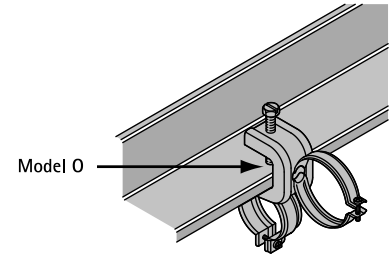


BIS Beam Clamp Model O

(K 20 15)

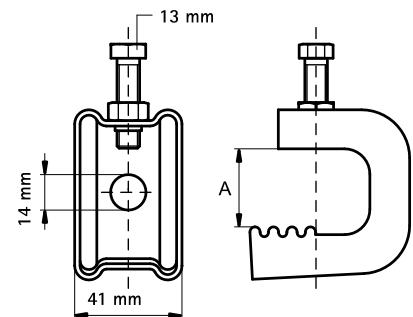
for flange up to 45 mm



Features and benefits

- for a solid fixing to steel construction without the need for welding or drilling
- up to flange thickness 45 mm
- with hole \varnothing 14 mm for fixing of BIS IC-clamp, stud bolt or S-Hook
- with serration for increased security
- material: steel
- surface treatment: Dacromet
- see also: IC-clamp (for conduit or cable); square nut (for threaded rod) or protective cap (to avoid damaging of protected surfaces)

| Part No. | A (mm) | $F_{a,z}$ (N) | Pack 1 |
|----------|-----------|------------------|--------|
| 6077020 | ≤ 20 | 1,100 | 25 |
| 6077030 | ≤ 30 | 1,200 | 25 |
| 6077045 | ≤ 45 | 1,300 | 25 |



Complementary

Walraven Stud Bolt
BIS Beam Clamp Model O - Accessories