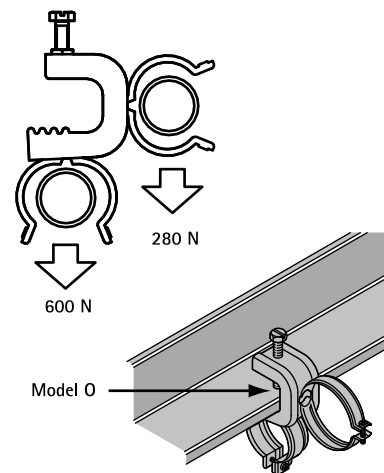


BIS Beam Clamp Model O – Accessories

(K 20 20)

accessories for BIS Beam Clamp Model O



Features and benefits

- Part No. 60772XX: for fixing of clamps or cables to BIS Beam clamp model 'O' (Part No. 60770XX)
- material: clamp and square nut made of steel
- Part No. 607 7 2XX: surface treatment: Dacromet

Part No.	D (mm)	Model	G	b x s (mm)	F _{a,z} (N)	F _{a,z 2} (N)	Pack 1	Pack 2
6077220	16.0 - 20.0	BIS IC-Clamp	M5	16 x 1.5	600	280	50	200
6077225	20.4 - 25.0	BIS IC-Clamp	M5	16 x 1.5	600	280	50	200
6077231	26.9 - 31.8	BIS IC-Clamp	M5	16 x 1.5	600	280	50	200
6077238	33.7 - 38.0	BIS IC-Clamp	M6	20 x 1.5	600	280	50	200
6077244	40.0 - 44.5	BIS IC-Clamp	M6	20 x 1.5	600	280	50	200

